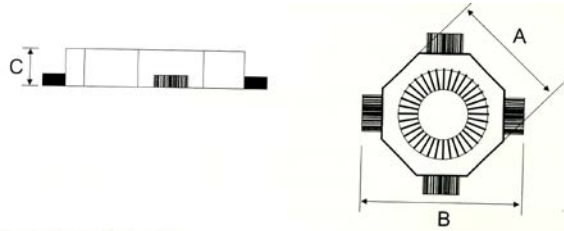




DTX 系列环型表贴电感
COMMON Mode Chokes DTX Series

◇ 外观尺寸 / SHAPE AND DIMENSIONS



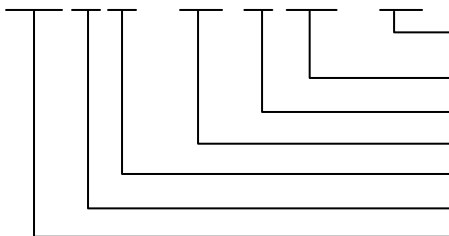
型号 Type	尺寸 / Dimensions (mm)			数量 / 卷 Amount / reel (Pcs)
	A (Max)	B (Max)	C (Max)	
DTX1 -	8.95	11.50	4.70	800
DTX2 -	11.40	14.10	6.15	500

◇ 应用 / USES

- * 设计于高频率附近 / DTX are designed around high frequency.
- * 此产品的应用取决于线路的连接 (详见连接图表) / DTX may be used in many engineering applications depending on their connection (see Connection Diagrams).
- * 结合电感器与变压器 / Coupled Inductors and Isolation transformers

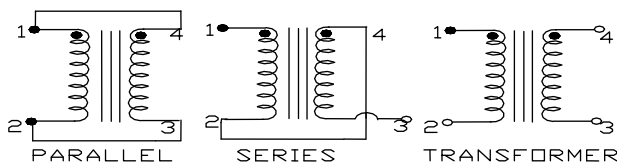
◇ 产品标识 / PRODUCT IDENTIFICATION

DTX 1 T - R40 M 5R5 - LF

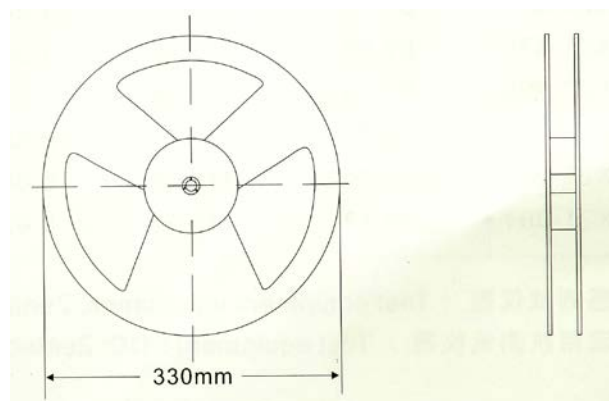
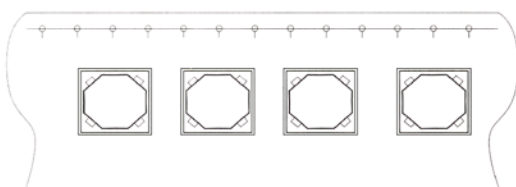


- 无铅 / lead-free
- 额定电流 / Rated current (max) 5R5 = 5.5 A
- 电感允许误差 / Inductance tolerance M = ±20%
- 电感值 / Inductance value R40 = 0.44 μH
- 包装方式 / Packaging style T (带装) = Taping (reel) B (散装) = Bulk
- 尺寸 / Dimensions
- 系列名称 / Series name

◇ 连接图表 / CONNECTION DIAGRAMS



◇ 带装规格 / TAPE & REEL SPECIFICATIONS





COMMON MODE CHOKES

DTX 系列环型表贴电感

COMMON Mode Chokes DTX Series

◇ 电气特性 / ELECTRICAL CHARACTERISTICS

品名 Parts No.	并联 / PARALLEL				串联 / SERIES			
	Open circuit Inductance $\mu\text{H} \pm 20\%$	Full load Inductance $\mu\text{H min.}$	Full load Current A	DC Resistance Ohms max.	Open circuit Inductance $\mu\text{H} \pm 20\%$	Full load Inductance $\mu\text{H min.}$	Full load Current A	DC Resistance Ohms max.
DTX1T-R40	0.40	0.26	5.50	0.005	1.60	1.05	2.75	0.020
DTX1T-R63	0.63	0.41	4.50	0.006	2.50	1.63	2.25	0.024
DTX1T-R90	0.90	0.56	4.20	0.007	3.60	2.24	2.10	0.028
DTX1T-2R0	2.03	1.00	4.10	0.011	8.10	4.01	2.05	0.041
DTX1T-4R9	4.90	2.66	2.30	0.031	19.60	10.64	1.15	0.122
DTX1T-8R1	8.10	4.08	2.00	0.040	32.40	16.34	1.00	0.158
DTX1T-100	10.00	4.85	1.90	0.044	40.00	19.40	0.95	0.176
DTX1T-140	14.40	8.74	1.10	0.080	57.60	34.96	0.55	0.319
DTX1T-200	19.60	11.54	1.00	0.146	78.40	46.15	0.50	0.584
DTX1T-260	25.60	16.35	0.74	0.167	102.40	65.42	0.37	0.667
DTX1T-330	32.40	19.84	0.72	0.293	129.60	79.37	0.36	1.171
DTX1T-500	50.63	29.34	0.64	0.366	202.50	117.38	0.32	1.462
DTX1T-680	67.60	39.73	0.54	0.517	270.40	158.92	0.27	2.065
DTX1T-990	99.23	58.72	0.44	0.785	396.90	234.88	0.22	3.137
DTX1T-151	148.23	85.16	0.38	0.966	592.90	340.64	0.19	3.862
DTX1T-201	202.50	107.60	0.37	1.142	810.00	430.39	0.19	4.567
DTX1T-301	302.50	191.38	0.22	1.432	1210.00	765.54	0.11	5.725
DTX2T-R44	0.44	0.32	7.00	0.004	1.76	1.29	3.50	0.016
DTX2T-R78	0.78	0.55	6.00	0.005	3.14	2.21	3.00	0.020
DTX2T-1R2	1.23	0.85	5.00	0.006	4.90	3.41	2.50	0.024
DTX2T-1R8	1.76	1.06	5.90	0.007	7.06	4.24	2.95	0.028
DTX2T-4R9	4.90	2.59	4.40	0.014	19.60	10.37	2.20	0.056
DTX2T-8R3	8.28	4.29	3.50	0.019	33.12	17.14	1.75	0.073
DTX2T-9R6	9.60	4.82	3.40	0.020	38.42	19.28	1.70	0.079
DTX2T-140	14.16	6.76	3.00	0.024	56.64	27.03	1.50	0.096
DTX2T-200	19.60	10.68	2.10	0.055	78.40	42.73	1.05	0.220
DTX2T-260	25.92	13.32	2.00	0.064	103.68	53.27	1.00	0.254
DTX2T-330	33.12	16.82	1.80	0.072	132.50	67.27	0.90	0.288
DTX2T-500	50.18	25.03	1.50	0.111	200.70	100.11	0.75	0.444
DTX2T-670	67.08	35.29	1.20	0.158	268.32	141.15	0.60	0.630
DTX2T-990	99.23	54.56	0.92	0.303	396.90	218.25	0.46	1.210
DTX2T-151	148.23	77.17	0.82	0.372	592.90	308.69	0.41	1.488
DTX2T-201	200.70	111.08	0.64	0.545	802.82	444.32	0.32	2.180
DTX2T-301	298.12	147.92	0.62	0.672	1192.46	591.66	0.31	2.687

* 电感测试仪器 / Test equipment inductance : HP 4342 meter, or equivalent (Test frequency: 100KHz/0.1V).

* 直流阻抗测试仪器 / Test equipment RDC : Zentech 301 meter, or equivalent.

* 额定电流 / Rated current : Value obtained when current flows and the temperature has risen to 20°C or when DC current flows and the initial value of inductance has fallen by 10%, whichever is smaller.

* 超出以上规格的特殊要求也可满足 / Special inquiries besides the above common used types can be met on your requirement.



DTX 系列环型表贴电感 COMMON Mode Chokes DTX Series

◇ 回流焊接施工方法 / RECOMMENDED SOLDERING CONDITIONS REFLOW SOLDERING

