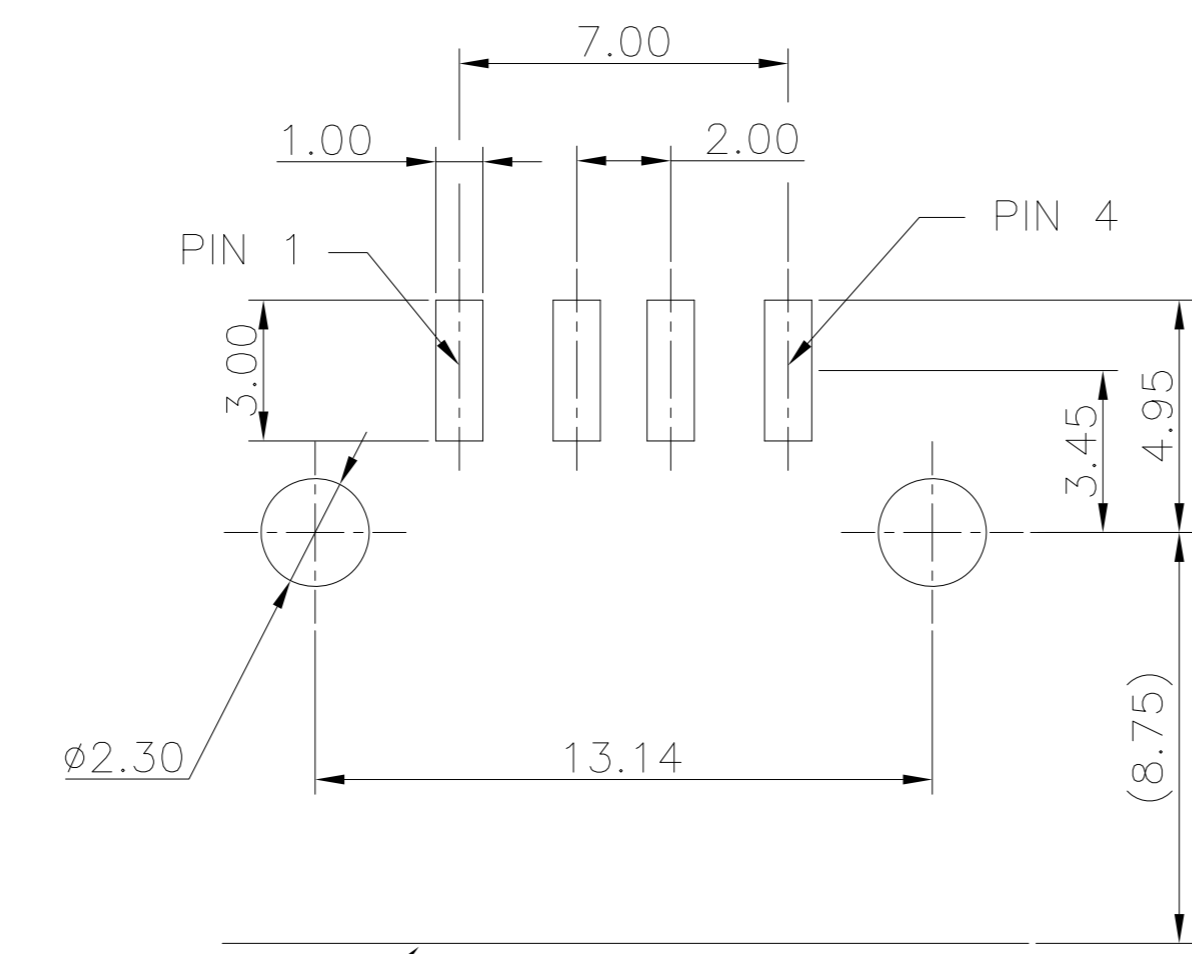
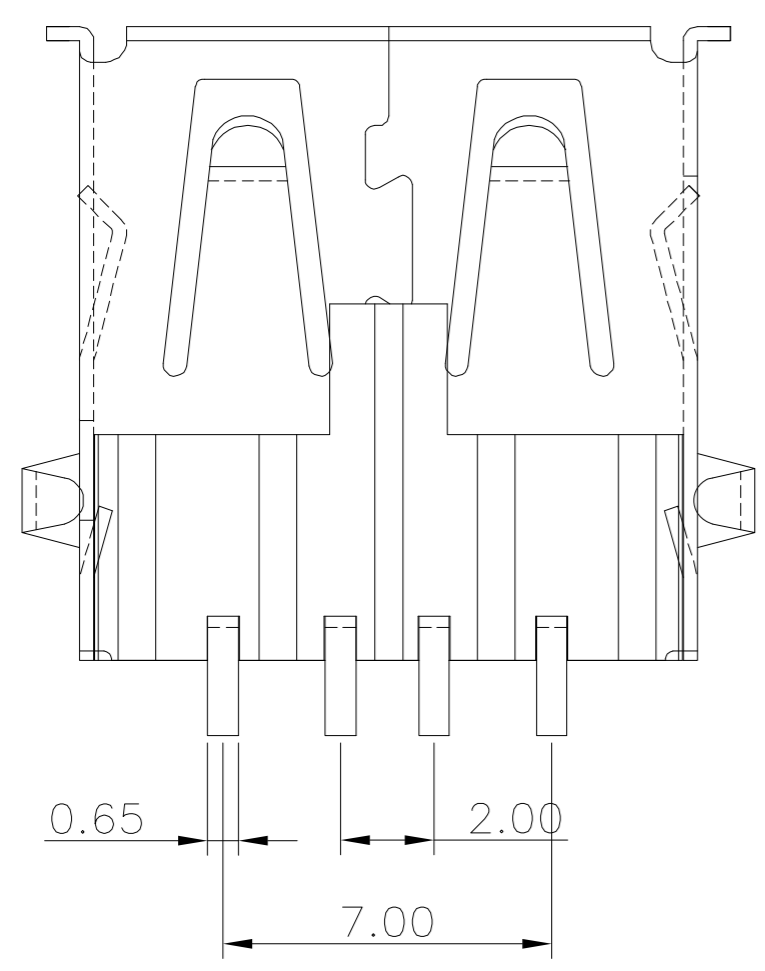
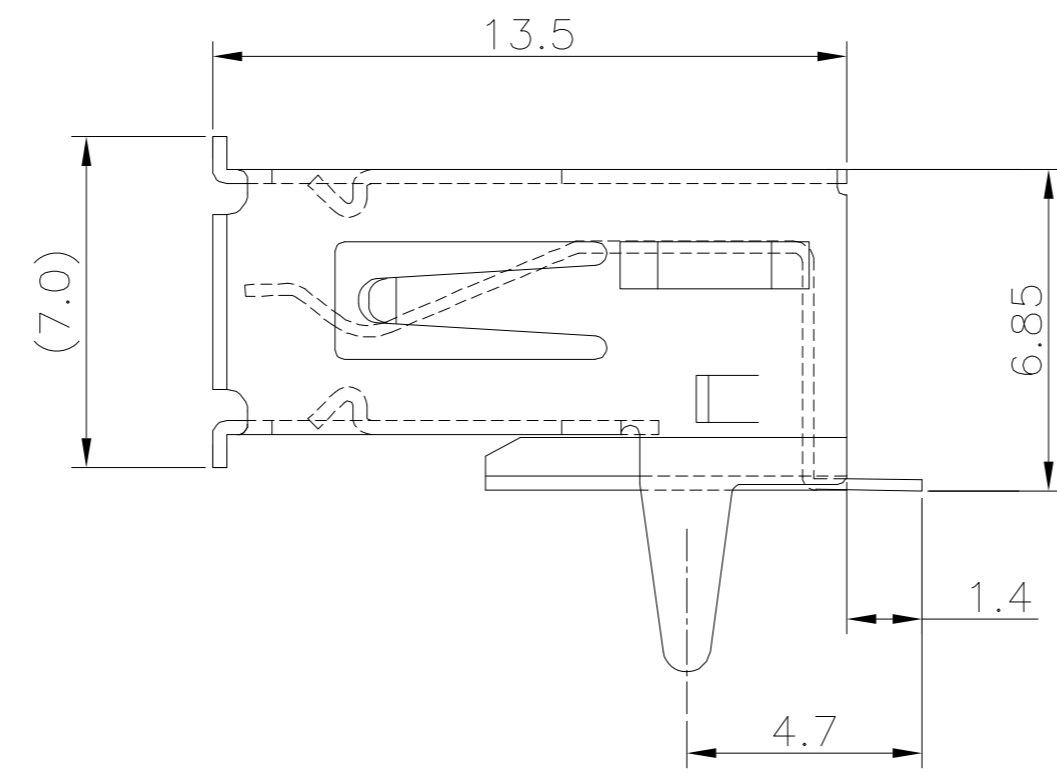
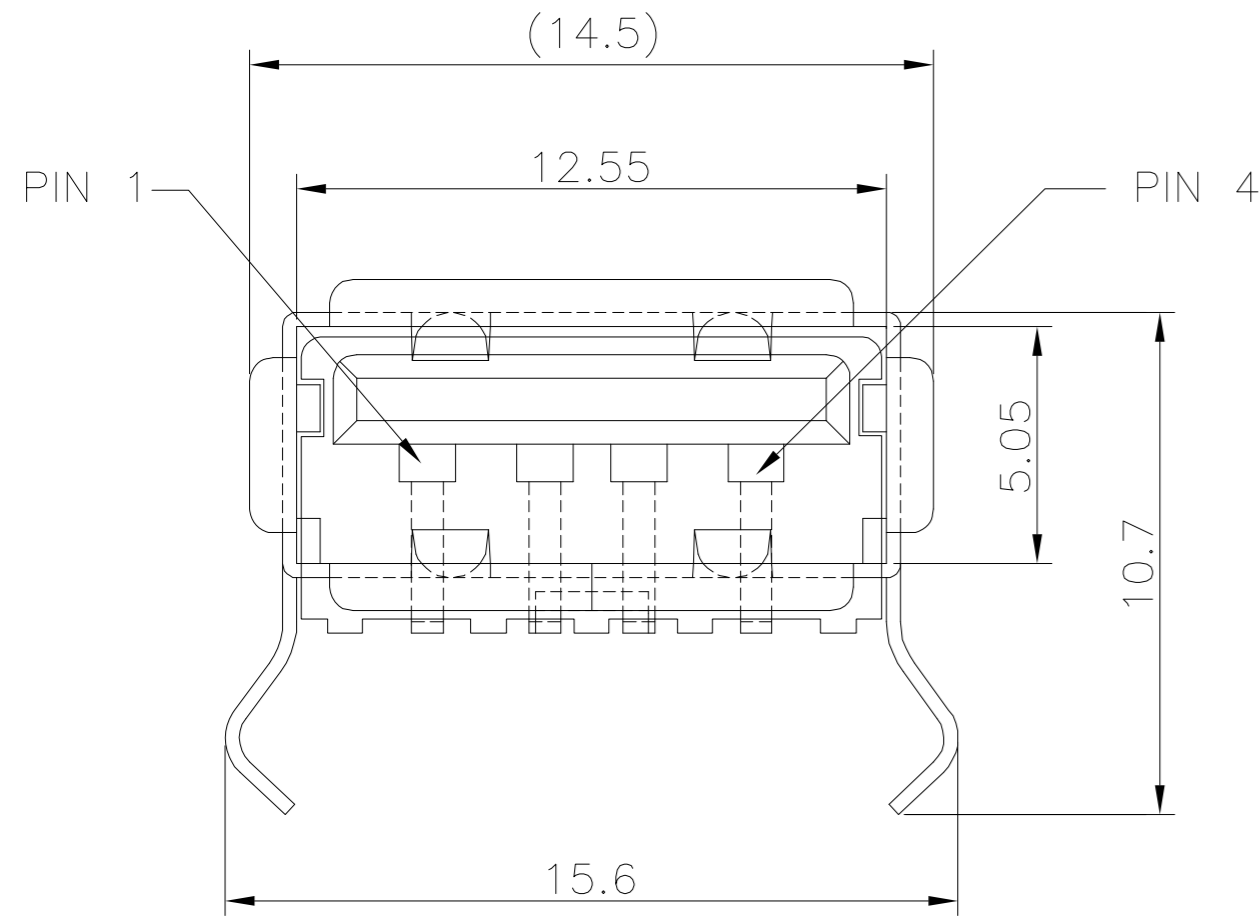


GP Component

REV.	ECN NO.	LOCATIONS	DESCRIPTION	DATE	DESIGN
A0			Initial	2013/08/16	Jamie Zie

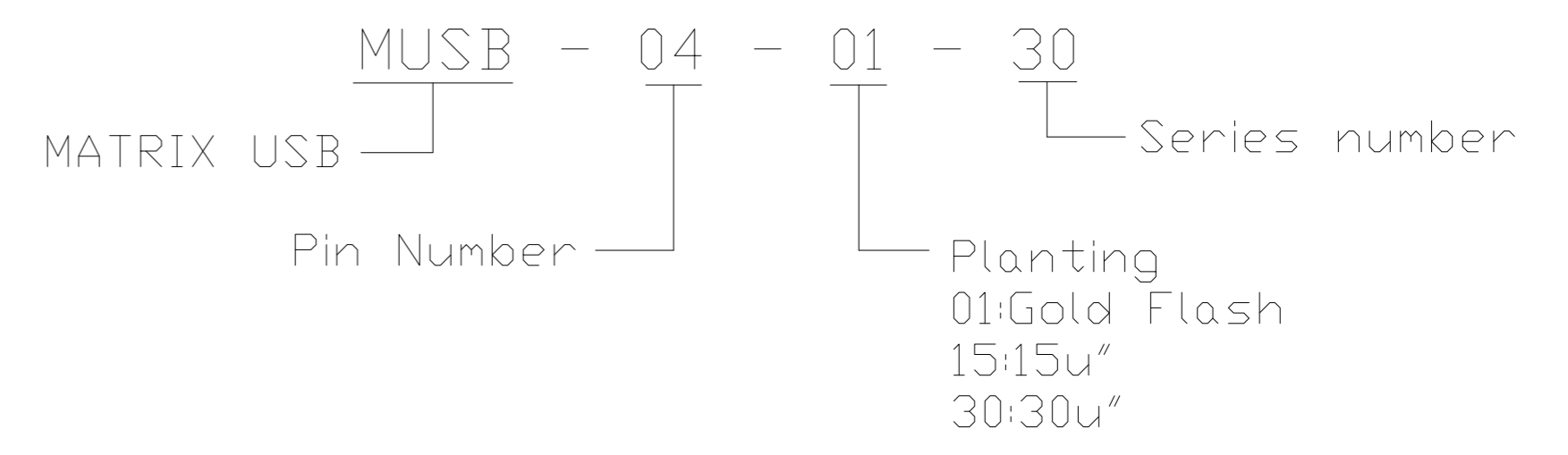


PCB EDGE → TOLERANCE: ± 0.05 ,
RECOMMENDED PCB LAYOUT
(TOP VIEW)

NOTES:


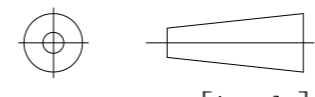
- 1.MATERIAL:
 - 1.1 HOUSING: HIGH TEMPERATURE THERAL PLASTIC, COLOR:BLACK
 - 1.2 CONTACT: COPPER ALLOY.
 - 1.3 SHEL :COPPER ALLOY .
- 2.FINISH:
 - 2.1 CONTACT: (SEE P/N.), 50μ " MIN. NICKEL UNDERPLATING OVER ALL
 - 2.2 SHELL: 50μ " MIN.NICKEL,UNDERPLATING OVER ALL.

MATRIX PART NO:



USB Connector Termination Assignment

Contact Number	Signal Name
1	VBUS
2	D-
3	D+
4	GND

NO	VARIETY	QTY	METERIAL	REMARK
 Matrix Electronics Co.,Ltd				
TOLERANCE: X: X X.X ±0.38 X.XX ±0.25 X.XXX ±0.13 ANGLE: $\pm 3^\circ$		DESIGN BY : Jamie Zie	DATE : 2013/08/16	PART NAME: USB AF,STD,R/A, SMT,CONN.
		CHECKED BY: Vicky Hsieh	DATE : 2013/08/16	PART NO. MUSB04-01-30
UNIT: mm [inch]		APPROVED BY1: Richard Hsieh	DATE : 2013/08/16	MOLD NO. NA
SCALE:1:1	SIZE:A4	APPROVED BY2: Richard Hsieh	DATE : 2013/08/16	DRAW NO. SHEET NO. 1 OF 1