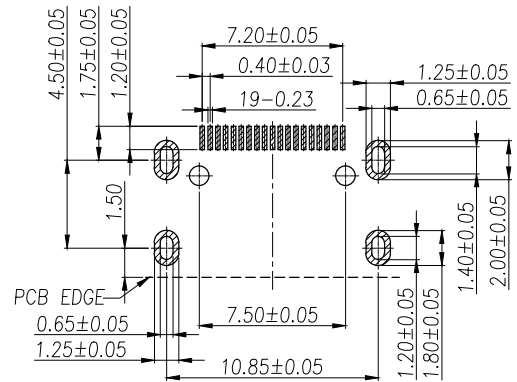
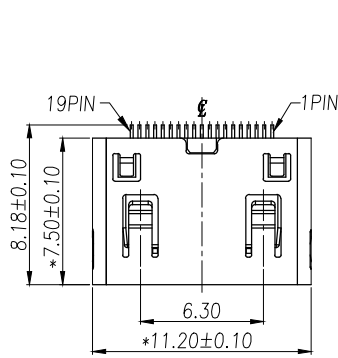


GP Component

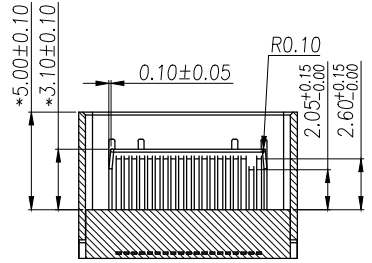
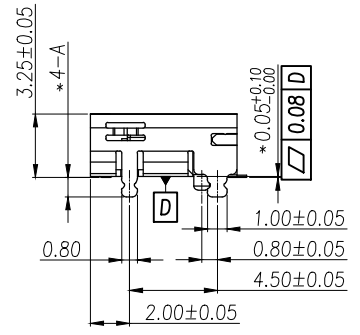
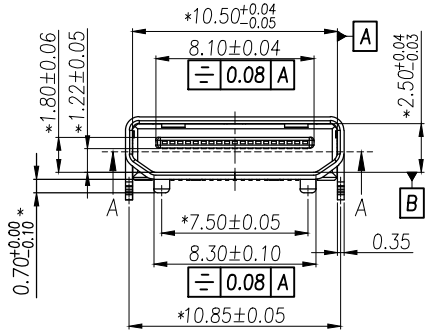
REV.	ECN NO.	LOCATIONS	DESCRIPTION	DATE	DESIGN
AO			Initial	2013/07/05	Jamie Zie
A1			Change Material	2013/10/21	Jamie Zie



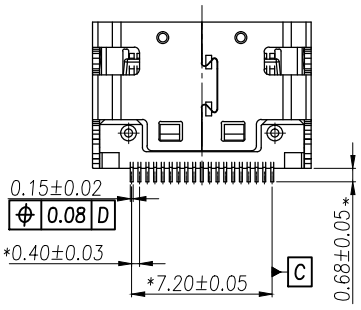
RECOMMENDED PCB LAYOUT
TOLERANCE UNSPECIFIED ±0.10mm

MATRIX PART NO:
MHD F - D 19 01 - 027 - RS
MATRIX HDMI
F:FEMALE
M:MALE
A:Non case
B:C2680
C:5191
D:SPCC
RS:RoHs
HF:Halogen Free
Series Number
Planting
01:Gold Flash
15:15u"
30:30u"

The main thchnology performance	
項目 Item	參數 Parameter
額定電流、電壓 Rated voltage Rated current	0.5A 40V DC
絕緣電阻 Insulated resistance	≥100MΩ
接觸電阻 Contact resistance	≤30mΩ
介電強度(極間) Dielectric strength	≥500V/min
電氣壽命 Endurance	≥5000
插入力 Insertion force	4.5 kgf Max
拔出力 Extroction force	0.7~2.5 kgf MIN
使用溫度 Ambient temperature	-20 ~ 85



SECTION A-A
SCALE 1:1



Material				
序號	名稱	材質	表面處理	度層厚度
1	基座	LCP	黑色	
2	端子	磷銅	鍍錫+金	Au: ≥5u" Sn: 100u"MIN.
3	外殼	青銅	鍍鎳	Ni ≥3.0um

NO	VARIETY	QTY	METERIAL	REMARK
Matrix Electronics Co.,Ltd				
TOLERANCE: X:X ±0.38 X:XX ±0.25 X:XXX ±0.13 ANGLE: ±3°		DESIGN BY : Jamie Zie	DATE : 2013/10/21	PART NAME: Mini HDMI interface
UNIT: mm [inch] SCALE:1:1 SIZE:A4		CHECKED BY: Vicky Hsieh	DATE : 2013/10/21	PART NO. MHD-F-D1901-027-RS
		APPROVED BY1: Richard Hsieh	DATE : 2013/10/21	MOLD NO. NA
		APPROVED BY2: Richard Hsieh	DATE : 2013/10/21	DRAW NO. SHEET NO. 1 OF 1

AUTODESK

AUTODESK