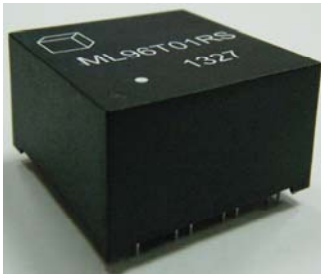




Feature



- Half port and single port designs for maximum layout flexibility.
- Supports Auto MDIX in 16 pairs of category 5 UTP cable
- Cable interface for isolation and low common mode emissions
- Compliant with IEEE 802.3ab standard for 1000Base-T
- Comply with ROHS & Halogen Free requirements.
- Storage Temperature -25°C to +125°C.

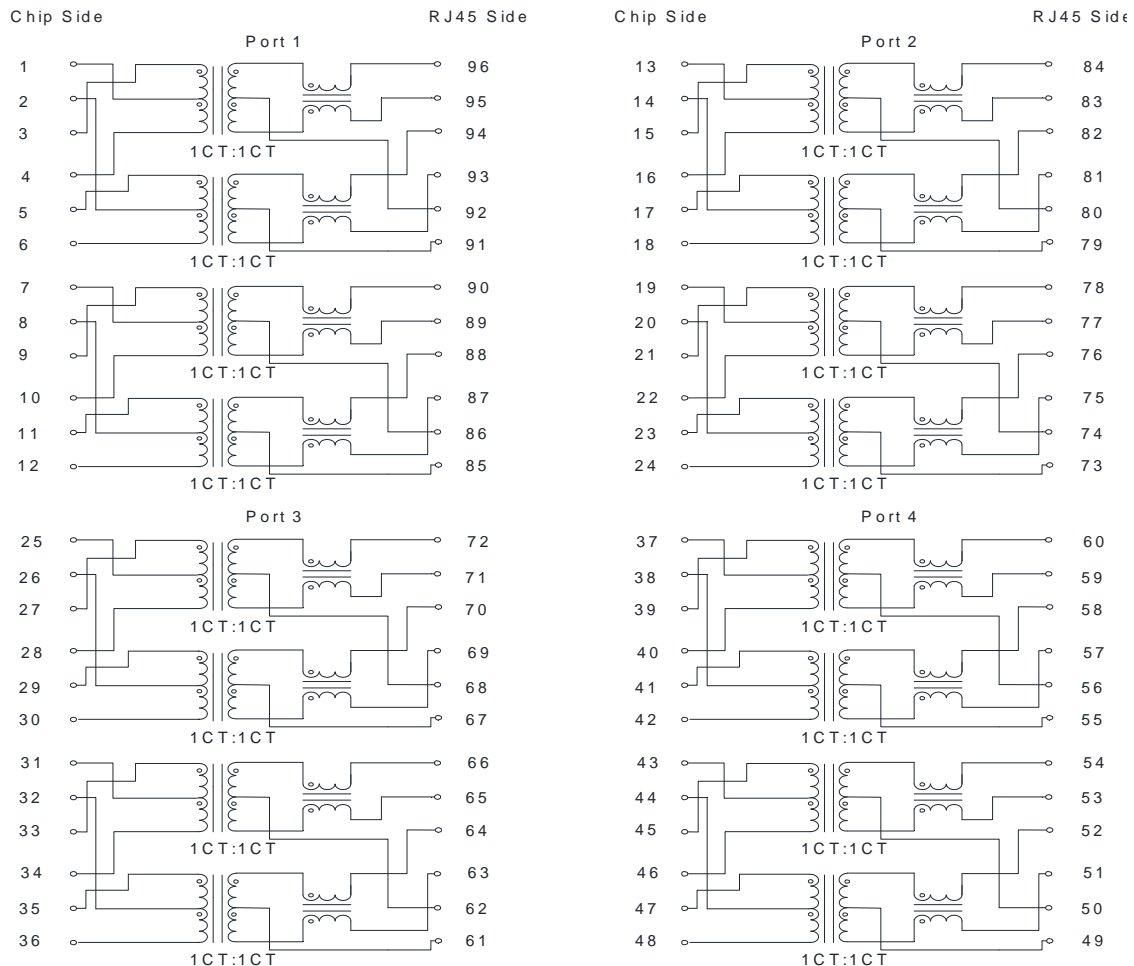
Electrical Specifications@25°C

Part Number	Turns Ratio (±2%)	OCL(uH Min) @100KHz/0.1V With 8mA DC Bias	Insertion Loss (dB Max)			Cw/w (pF Typ)	L.L (uH Max)	DCR (Ω Max)	HI-POT (Vrms)	DCMR (dB Min)		Input - Output Isolation
			1-30MHz	100MHz	125MHz					100MHz	0.1-100MHz	
ML96T01RS	1CT:1CT	350	-1.0	-1.0	-3.0	50	0.5	1.1	1500	-33	1.1	1500

Continue

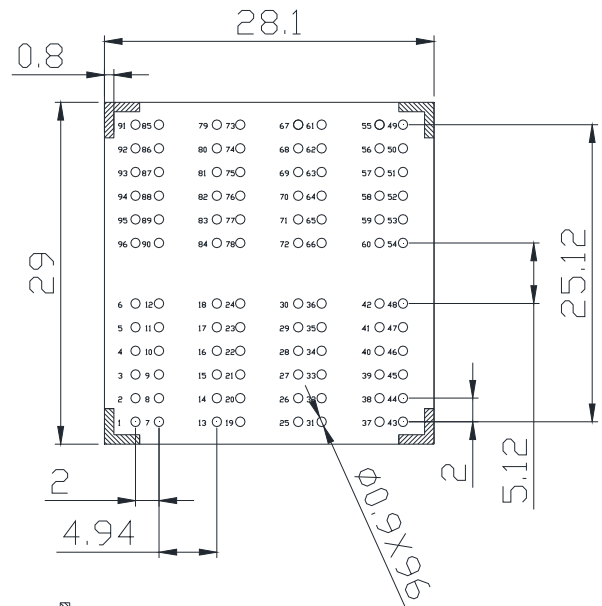
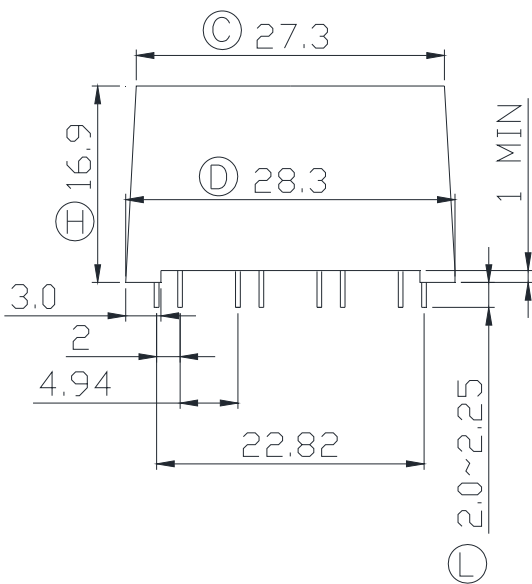
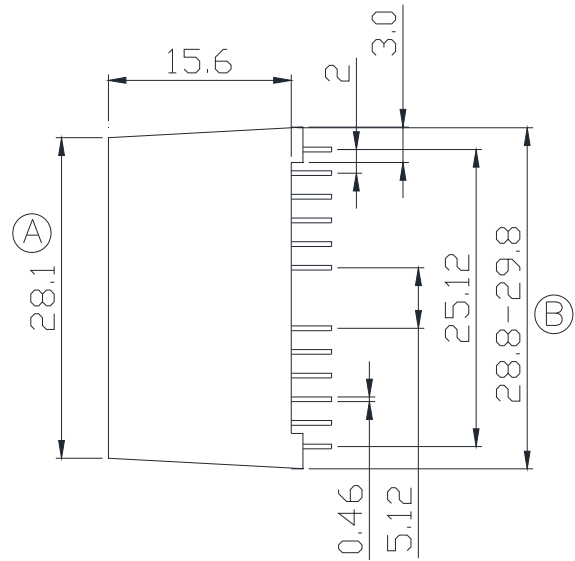
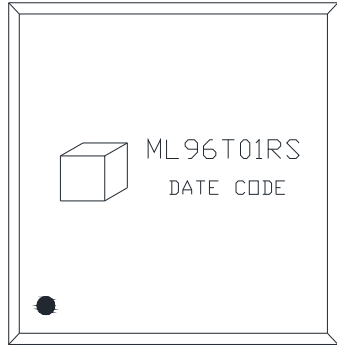
Part Number	Return Loss (dB Min)					Cross talk (dB Min)			Common Mode Rejection Ratio(dB Min)						
	1MHz	30MHz	60MHz	80MHz	100MHz	1MHz	30MHz	60MHz	125MHz	250MHz	375MHz	500MHz	625-750MHz	875MHz	1GHz
ML96T01RS	-20	-18	-14.4	-12	-10	-50	-43	-38	-30	-26	-22	-17	-15	-12	-10

Schematic





Mechanical



NO COMPONENT AREA.
Suggested Customer PCB Layout
(Component Side)

Dimension:mm(inch)Unless otherwise specified ,
all tolerance are +/-0.25(0.01)