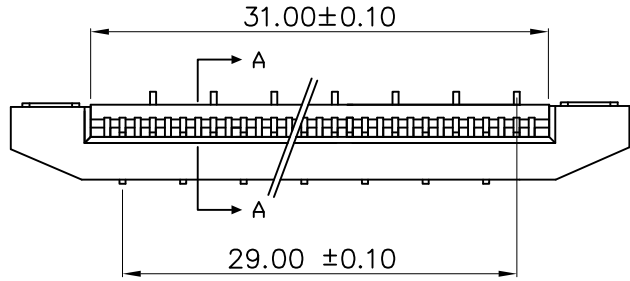


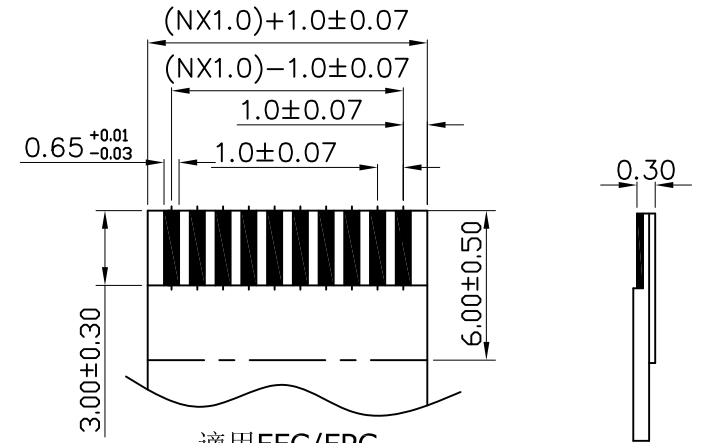
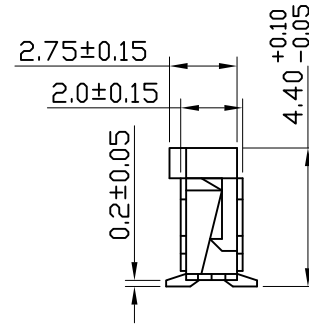
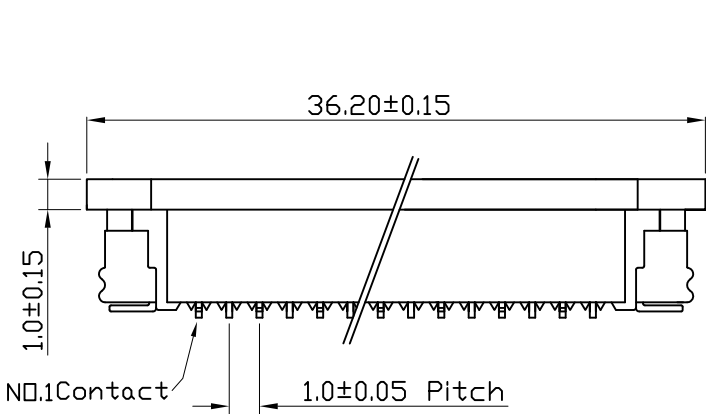
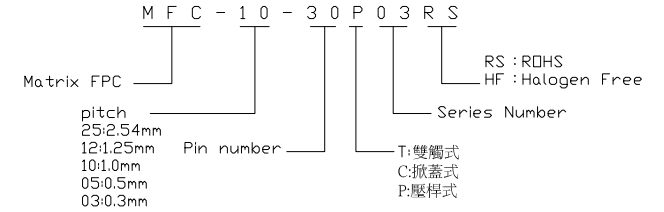
# GP Component

| REV. | ECN NO. | LOCATIONS | DESCRIPTION | DATE       | DESIGN    |
|------|---------|-----------|-------------|------------|-----------|
| A0   |         |           | Initial     | 2012/12/18 | Jamie Zie |

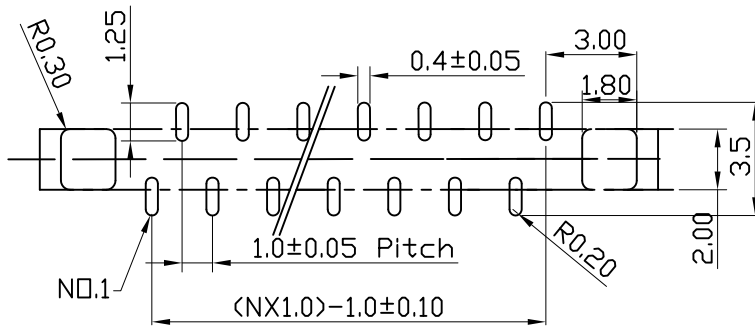


1.MATERIAL:  
 HOUSING: PA46 UL 94V-0  
 COVER: PPS UL 94V-0  
 CONTACT:PHOSPHOR BRONZE Au/LEAD PLATING  
 TEMPERATURE:-40°C+85°C  
 2.SPECIFICATION:  
 SIZE:2 TO 30 CIRCUITS  
 VOLTAGE:50V  
 CURRENT:1.0A  
 CONTACT RESISTANCE:10m Ω MAX.  
 DIELECTRIC WITHSTANDING VOLTAGE:500V AC.

MATRIX PART NO:




適用FFC/FPC  
 APPLICABLE FFC/FPC



PCB layout

SECTION A-A

| NO  | VARIETY | QTY                                   | MATERIAL                    | REMARK   |
|---|---------|---------------------------------------|-----------------------------|--|
|  <b>Matrix Electronics Co.,Ltd</b> |         |                                       |                             |  |
| <b>TOLERANCE:</b><br>X.X ±0.30<br>X.XX ±0.20<br>X.XXX ±0.10<br>X.XXX ±0.05<br>X*±2°                                     |         | <b>DESIGN BY :</b><br>Jamie Zie       | <b>DATE :</b><br>2012/12/18 | <b>PART NAME:</b><br>P=1.00MM FFC/FPC CONNECTOR右接觸加寬整條 |
|   |         | <b>CHECKED BY:</b><br>David Chou      | <b>DATE :</b><br>2012/12/18 | <b>PART NO.</b><br>MFC-10-30P03RS                      |
|   |         | <b>APPROVED BY1:</b><br>Richard Hsieh | <b>DATE :</b><br>2012/12/18 | <b>MOLD NO.</b><br>N / A                               |
|   |         | <b>APPROVED BY2:</b><br>Richard Hsieh | <b>DATE :</b><br>2012/12/18 | <b>DRAW NO.</b><br>SHEET NO. 1 OF 1                    |