

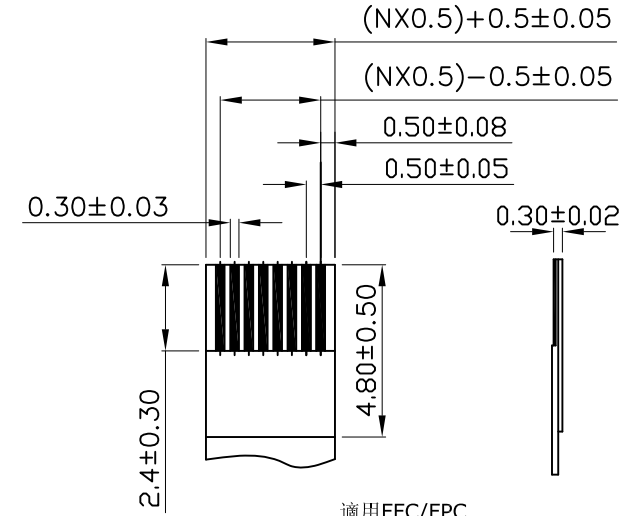
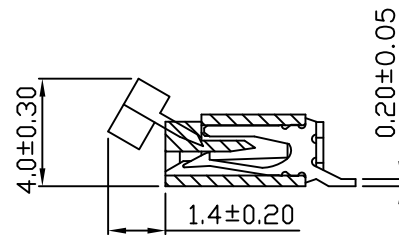
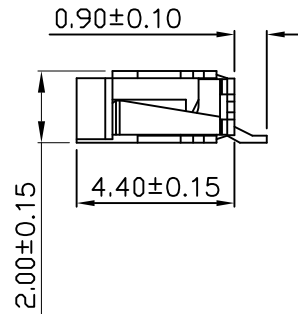
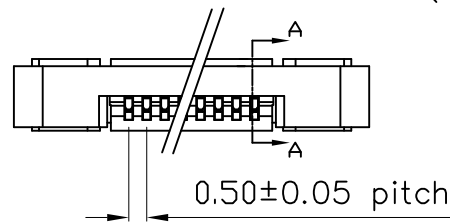
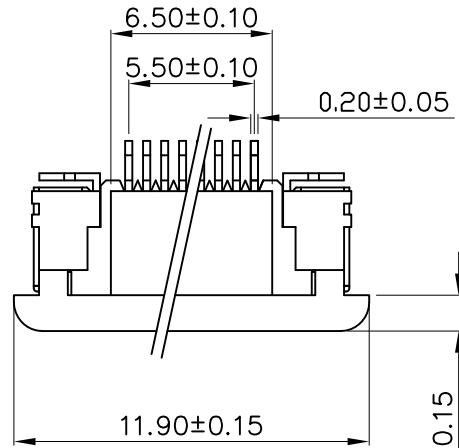
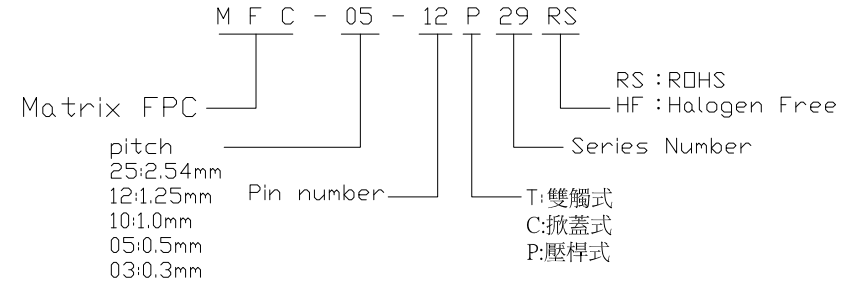
GP Component

REV.	ECN NO.	LOCATIONS	DESCRIPTION	DATE	DESIGN
A0			Initial	2013/07/22	Jamie Zie

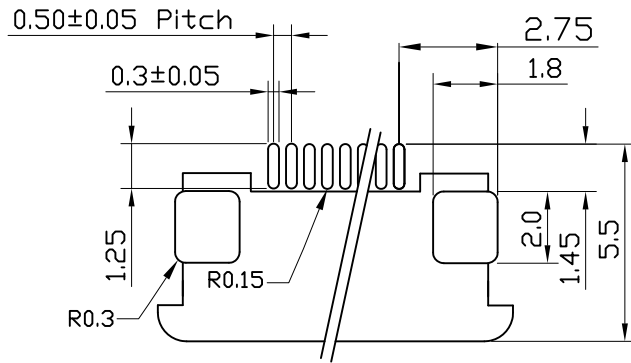
NOTE:

- MATERIAL:**
 HOUSING: NYLON46 UL 94V-0
 CONTACT: BRASS
 PLATING: TIN
 TEMPERATURE: -20°C+85°C
- SPECIFICATION:**
 SIZE: 4 TO 61 CIRCUITS
 VOLTAGE: 50V
 CURRENT: 0.5A
 CONTACT RESISTANCE: 20m MAX Ω
 DIELECTRIC WITHSTANDING VOLTAGE: 250V AC.


MATRIX PART NO:



適用FFC/FPC
 APPLICABLE FFC/FPC



P.C.B Layout

NO	VARIETY	QTY	MATERIAL	REMARK
 Matrix Electronics Co.,Ltd				
TOLERANCE: X.X ±0.30 X.XX ±0.20 X.XXX ±0.10 X.XXX ±0.05 X±2°		DESIGN BY : Jamie Zie	DATE : 2013/07/22	PART NAME: P=0.5mm H=2.0mm FPC CONNECTOR Next contact
		CHECKED BY: Vicky Hsieh	DATE : 2013/07/22	PART NO. MFC-05-12P29RS
		APPROVED BY1: Richard Hsieh	DATE : 2013/07/22	MOLD NO. N / A
		APPROVED BY2: Richard Hsieh	DATE : 2013/07/22	DRAW NO. SHEET NO. 1 OF 1
UNIT: mm [inch] SCALE: 1:1 SIZE: A4				