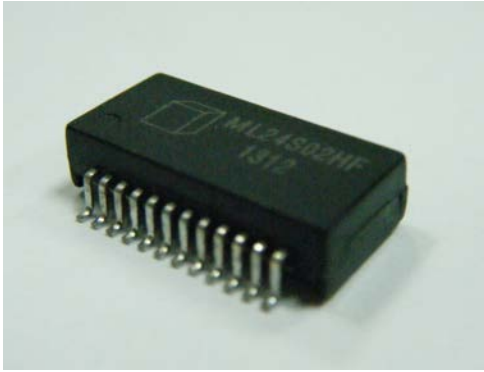




1000 BASE -T MAGNETICS MODULES

P/N: ML24S02HF

Feature



- Designed for Ethernet 100/1000 BASE-T, full duplex applications.
- IEEE 802.3af/ANSI X3.263 compliant performance.
- 350mA current capability.
- Cable interface for isolation and low common mode emissions.
- Comply with ROHS and Halogen Free requirement.
- Operating temperature range: 0°C to +70°C.
- Storage temperature range: -25°C to +85°C.

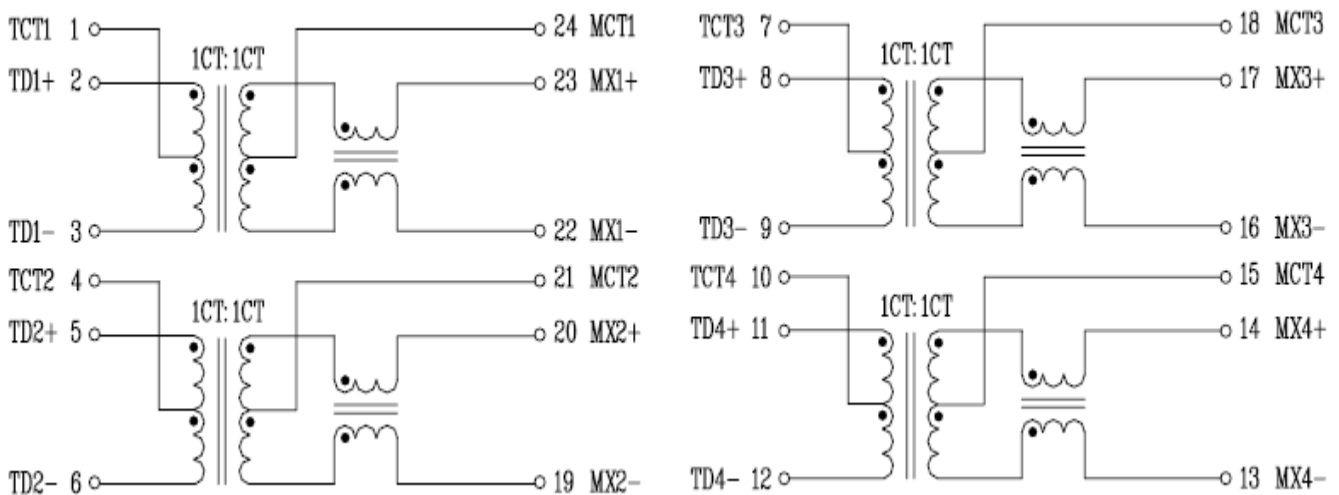
Electrical Specifications@25°C

Part Number	Turns Ratio (±5%)		OCL(uH Min) @100KHz/0.1V With 8mA DC Bias	Cross talk Attenuation (dBMin)			HI-POT (Vrms)
	TX	RX		30MHz	60MHz	100MHz	
ML24S02HF	1CT:1CT	1CT:1CT	350	-45	-40	-35	1500

Continue

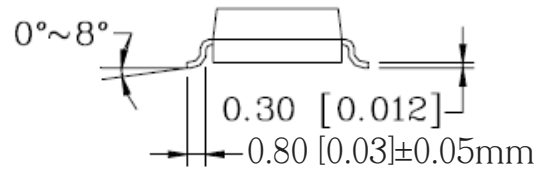
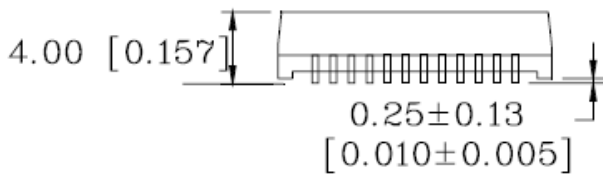
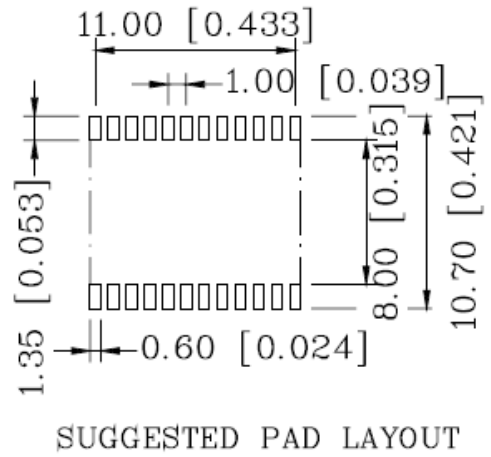
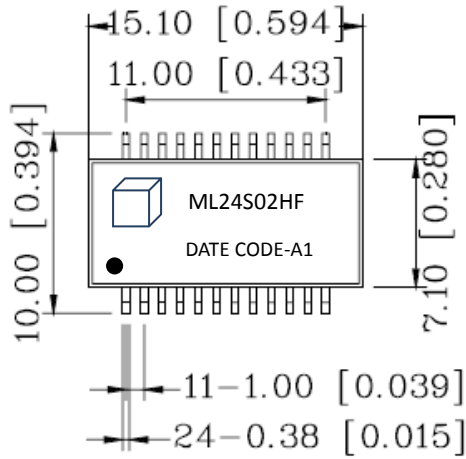
Part Number	Insertion Loss (dB Max)	Return Loss (dB Min)@Load 100Ω					DCMR (dB Min)		
		1-100MHz	1-30MHz	40MHz	50MHz	60-80MHz	100MHz	30MHz	60MHz
ML24S02HF	-1.0	-18	-14.4	-13.1	-12	-10	-40	-35	-30

Schematic





Mechanical



Units: mm[Inches] Tolerances: xx.x0±0.25[0.010]
0.xx±0.05[0.002]