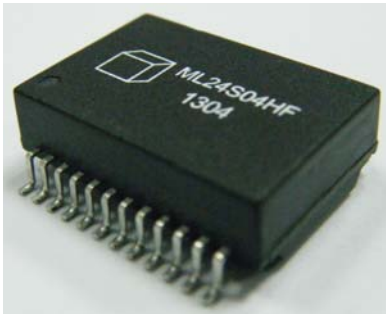




**Feature**



- Designed for long Gigabit Ethernet 10/100/1000 BASE-T, full duplex applications.
- Supports 4 pairs of category 5 UTP cable
- Cable interface for isolation and low common mode emissions.
- Compliant with IEEE 802.3ab standard
- Comply with ROHS & Halogen Free requirements.
- Operating temperature range: 0°C to +70°C.
- Storage temperature range: -25°C to +85°C.

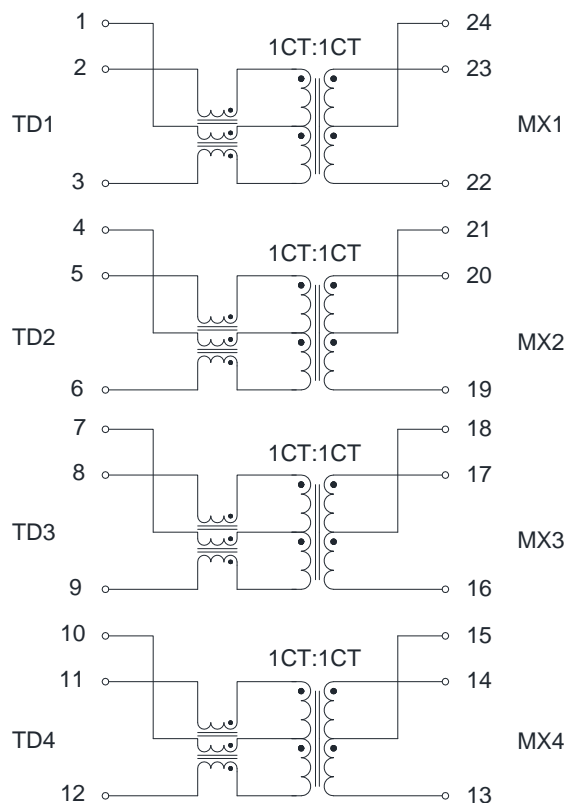
**Electrical Specifications@25°C**

| Part Number | Tums Ratio (±5%) |         | OCL(uH Min)<br>@100KHz/0.1V<br>With 8mA DC Bias | Cross talk Attenuation (dBMin) |       |        | HI-POT (Vrms) |
|-------------|------------------|---------|---|--------------------------------|-------|--------|---------------|
|             | TX               | RX      |   | 30MHz                          | 60MHz | 100MHz |               |
| ML24S04HF   | 1CT:1CT          | 1CT:1CT | 350   | -45                            | -40   | -35    | 1500          |

**Continue**

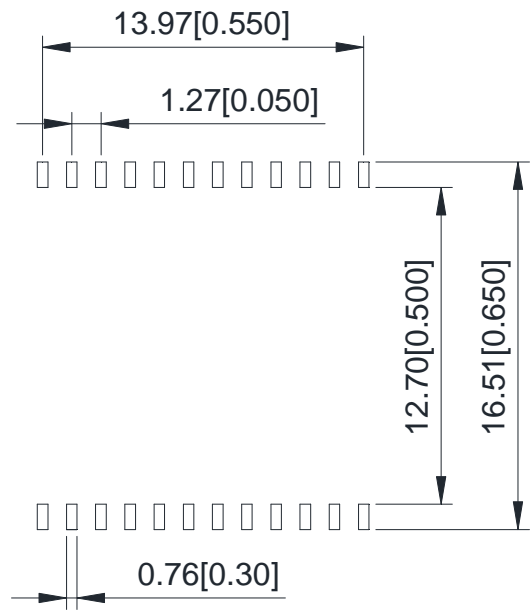
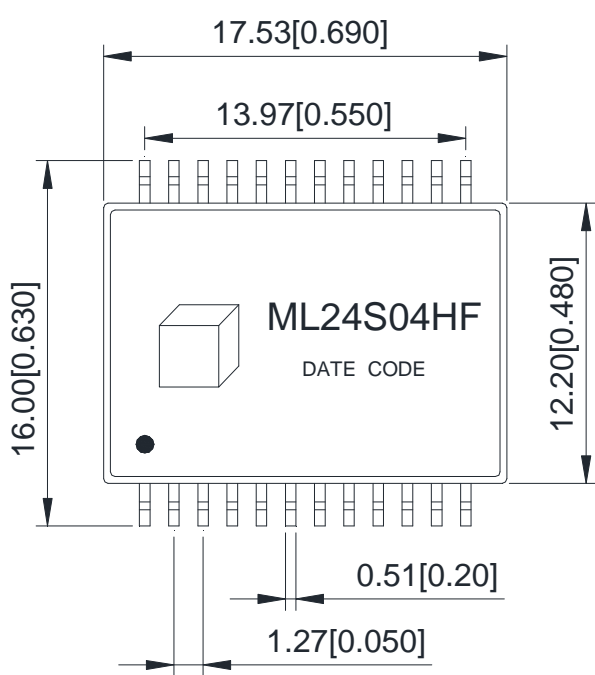
| Part Number | Insertion Loss (dB Max) | Return Loss (dB Min)@Load 100Ω |         |       |       |          | DCMR (dB Min) |       |       |
|-------------|-------------------------|--------------------------------|---------|-------|-------|----------|---------------|-------|-------|
|             |                         | 1-100MHz                       | 1-30MHz | 40MHz | 50MHz | 60-80MHz | 100MHz        | 30MHz | 60MHz |
| ML24S04HF   | -1.0                    | -18                            | -18     | -16   | -12   | -10      | -40           | -37   | -33   |

**Schematic**

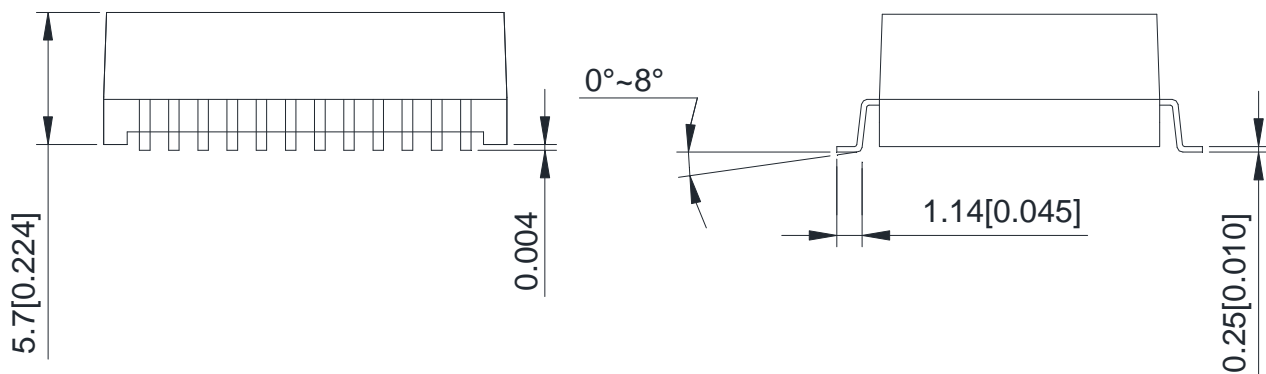




Mechanical



SUGGESTED PAD LAYOUT



Units : mm [ Inches ] Tolerance : XX.X0±0.25 [0.010]  
0.XX±0.05 [0.002]