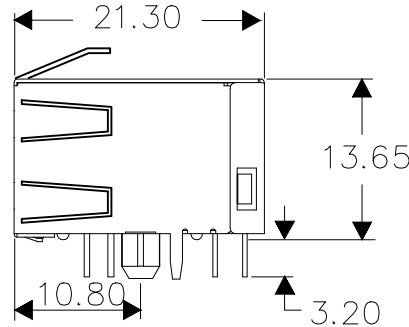
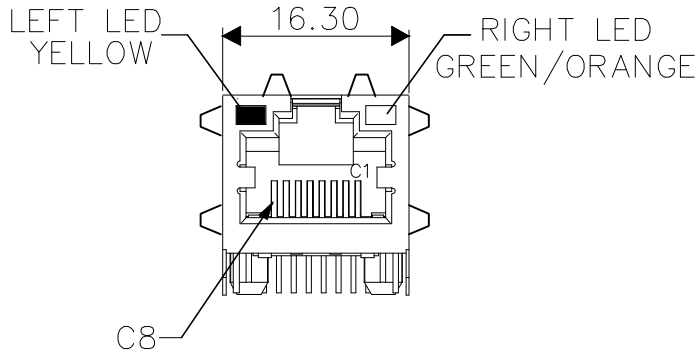
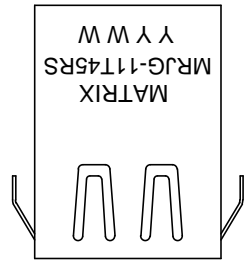


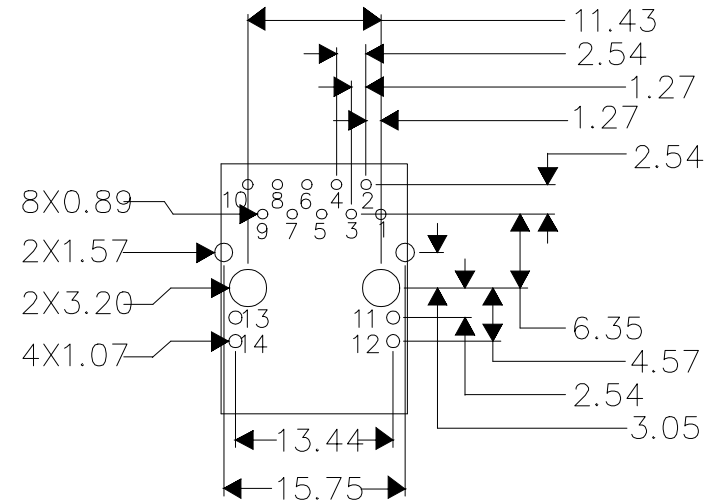
GP Component

REV.	ECN NO.	LOCATIONS	DESCRIPTION	DATE	DESIGN
A0			Initial	2012/12/17	Jamie Zie


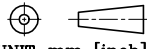
1. MECHANICAL DIMENSIONS :



2. PCB LAYOUT :



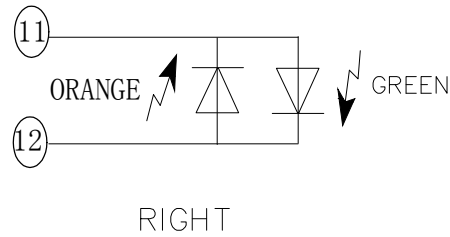
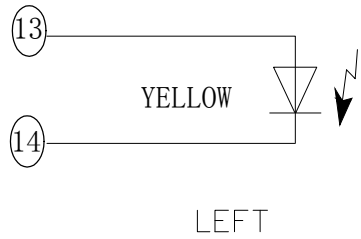
Recommended hole pattern
viewed from component side

NO	VARIETY	QTY	METERIAL	REMARK
 Matrix Electronics Co.,Ltd				
TOLERANCE:		DESIGN BY :	DATE :	PART NAME:
X:X ±0.38		Jamie Zie	2012/12/17	1X1RJ W/LED W/Giga LAN
X:XX ±0.25		CHECKED BY:	DATE :	PART NO. MRJG-11T45RS
X:XXX ±0.13		Vilen Lee	2012/12/17	MOLD NO. NA
ANGLE: ±1°		APPROVED BY1:	DATE :	DRAW NO.
		Richard Hsieh	2012/12/17	SHEET NO. 1 OF 4
UNIT: mm [inch]	SCALE: 1:1	APPROVED BY2:	DATE :	
	SIZE: A4	Richard Hsieh	2012/12/17	

GP Component

REV.	ECN NO.	LOCATIONS	DESCRIPTION	DATE	DESIGN
A0			Initial	2012/12/17	Jamie Zie

3. LED CONFIGURATION :



ORDER INFORMATION :

Matrix-RJ45 M R J G - 1 1 T 4 5 R S


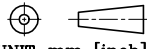
RS : ROHS
HF : Halogen Free

F : 10/100
G : 10/100/1000
N : Pure Connector

11:1X1 ; 21:2X1
12:1X2 ; 22:2X2
14:1X4 ; 24:2X4
16:1X6 ; 26:2X6
18:1X8 ; 28:2X8
1U:RJ+USB

S : SMD
T : THT

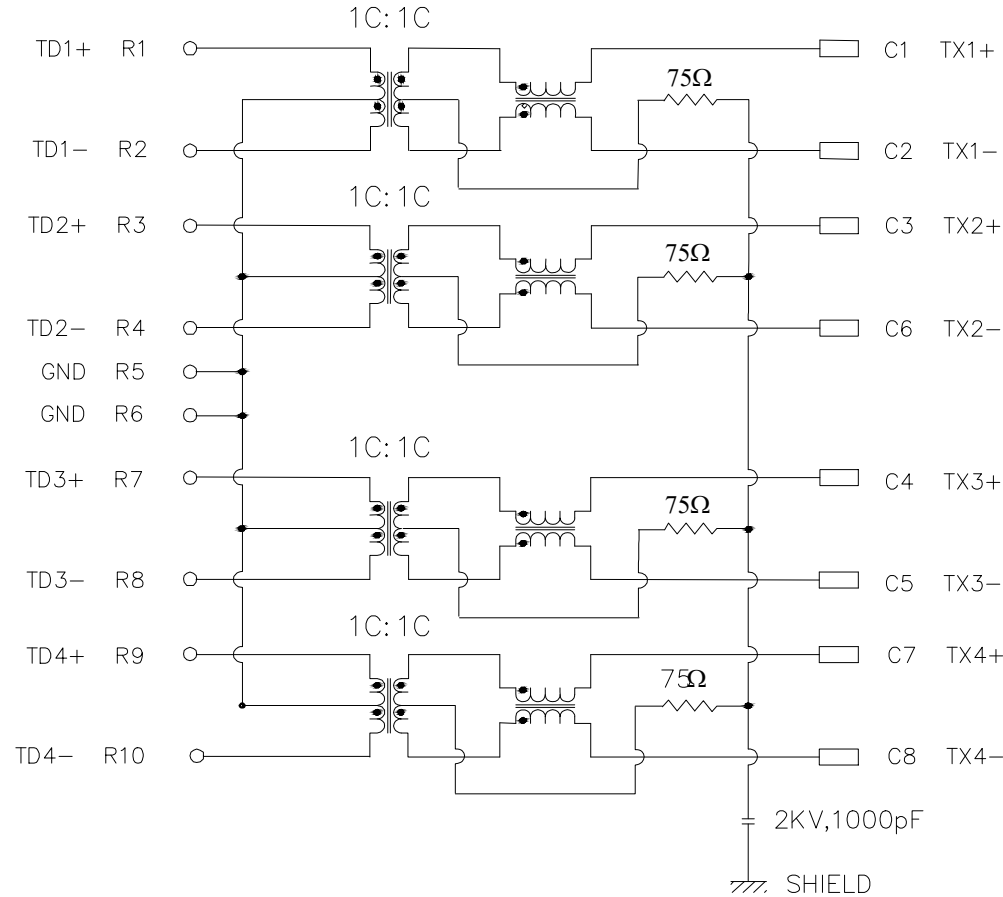
Series Number

NO	VARIETY	QTY	METERIAL	REMARK
	 Matrix Electronics Co.,Ltd			
TOLERANCE:		DESIGN BY :	DATE :	PART NAME:
X:X ±0.38		Jamie Zie	2012/12/17	1X1RJ W/LED W/Giga LAN
X:XX ±0.25		CHECKED BY:	DATE :	PART NO. MRJG-11T45RS
X:XXX ±0.13		Vilen Lee	2012/12/17	
ANGLE: ±1°		APPROVED BY1:	DATE :	MOLD NO. NA
 UNIT: mm [inch]		Richard Hsieh	2012/12/17	
		APPROVED BY2:	DATE :	DRAW NO.
SCALE:1:1	SIZE:A4	Richard Hsieh	2012/12/17	SHEET NO. 2 OF 4

GP Component

REV.	ECN NO.	LOCATIONS	DESCRIPTION	DATE	DESIGN
A0			Initial	2012/12/17	Jamie Zie

4. SCHEMATIC:



5. ELECTRICAL CHARACTERISTICS :

Insertion Loss: 1-100MHZ -1.0dB MAX

Return Loss: 1-30MHZ -16.0dB MIN

30-60MHZ -14.0dB MIN

60-80MHZ -10.0dB MIN

Cross Talk: 1-30MHZ -40.0dB MIN

30-60MHZ -35.0dB MIN

60-80MHZ -30.0dB MIN

CMR: 1-100MHZ -35.0dB MIN

Hi-Pot: 1500v AC 6S 1mA


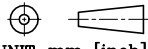
Turn Ratio: 1CT:1CT+/-3%

OCL: 350uH MIN @ 100KHZ 100mV 8mA DC

Contacts: 0.35mm thick phos bronze plated with 6u' gold in contact are

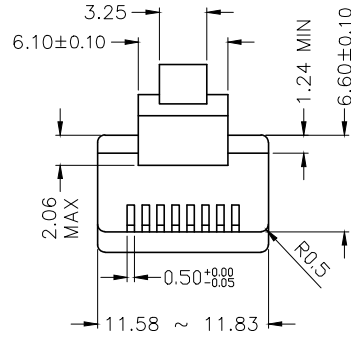
Housing Material: PA66 BLACK

Operating temperature range: 0°C to +70°C

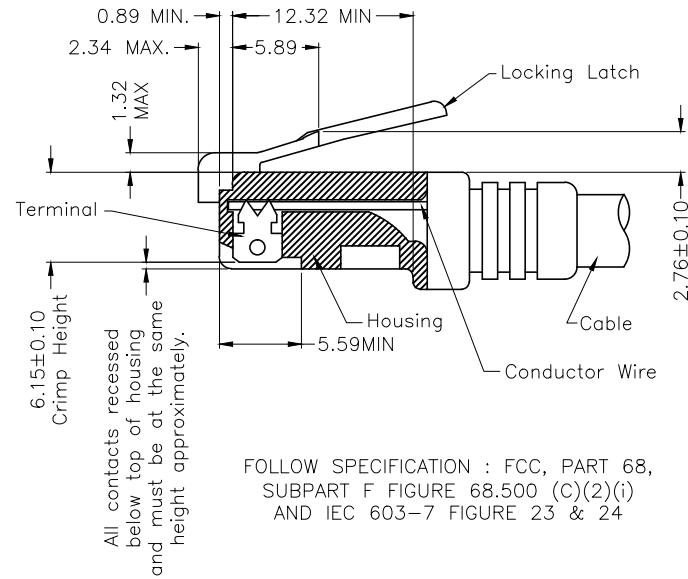
NO	VARIETY	QTY	MATERIAL	REMARK
 Matrix Electronics Co.,Ltd				
TOLERANCE:		DESIGN BY :	DATE :	PART NAME:
X:X	±0.38	Jamie Zie	2012/12/17	1X1RJ W/LED W/Giga LAN
X:XX	±0.25	CHECKED BY:	DATE :	PART NO. MRJG-11T45RS
X:XXX	±0.13	Vilen Lee	2012/12/17	MOLD NO. NA
ANGLE: ±1°		APPROVED BY1:	DATE :	DRAW NO.
		Richard Hsieh	2012/12/17	SHEET NO. 3 OF 4
UNIT: mm [inch]		APPROVED BY2:	DATE :	
SCALE:1:1	SIZE:A4	Richard Hsieh	2012/12/17	

GP Component

REV.	ECN NO.	LOCATIONS	DESCRIPTION	DATE	DESIGN
A0			Initial	2012/12/17	Allen Chu

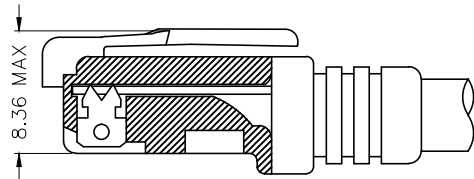


- * There must be no damage to housing or locking latch. There must be no nicks or cuts in cable.
- * Durability : 750 cycles generally





FOLLOW SPECIFICATION : FCC, PART 68, SUBPART F FIGURE 68.500 (C)(2)(i) AND IEC 603-7 FIGURE 23 & 24

STANDARD MODULAR PLUG ASSEMBLY



FOLLOW SPECIFICATION : FCC, PART 68, SUBPART F FIGURE 68.500 (C)(2)(ii)

NO	VARIETY	QTY	MATERIAL	REMARK
 Matrix Electronics Co.,Ltd				
TOLERANCE:		DESIGN BY :	DATE :	PART NAME:
X:X	±0.38	Jamie Zie	2012/12/17	1X1RJ W/LED W/Giga LAN
X:XX	±0.25	CHECKED BY:	DATE :	PART NO. MRJG-11T45RS
X:XXX	±0.13	Vilen Lee	2012/12/17	MOLD NO. NA
ANGLE: ±1°		APPROVED BY1:	DATE :	DRAW NO.
		Richard Hsieh	2012/12/17	SHEET NO. 4 OF 4
UNIT: mm [inch]		APPROVED BY2:	DATE :	
SCALE:1:1	SIZE:A4	Richard Hsieh	2012/12/17	