

GP Component

REV.	ECN NO.	LOCATIONS	DESCRIPTION	DATE	DESIGN
A0			Initial	2013/08/12	Jamie Zie
A1			材質變更	2014/02/25	Jamie Zie
A2		△2	尺寸變更	2014/03/20	Jamie Zie

NOTES:

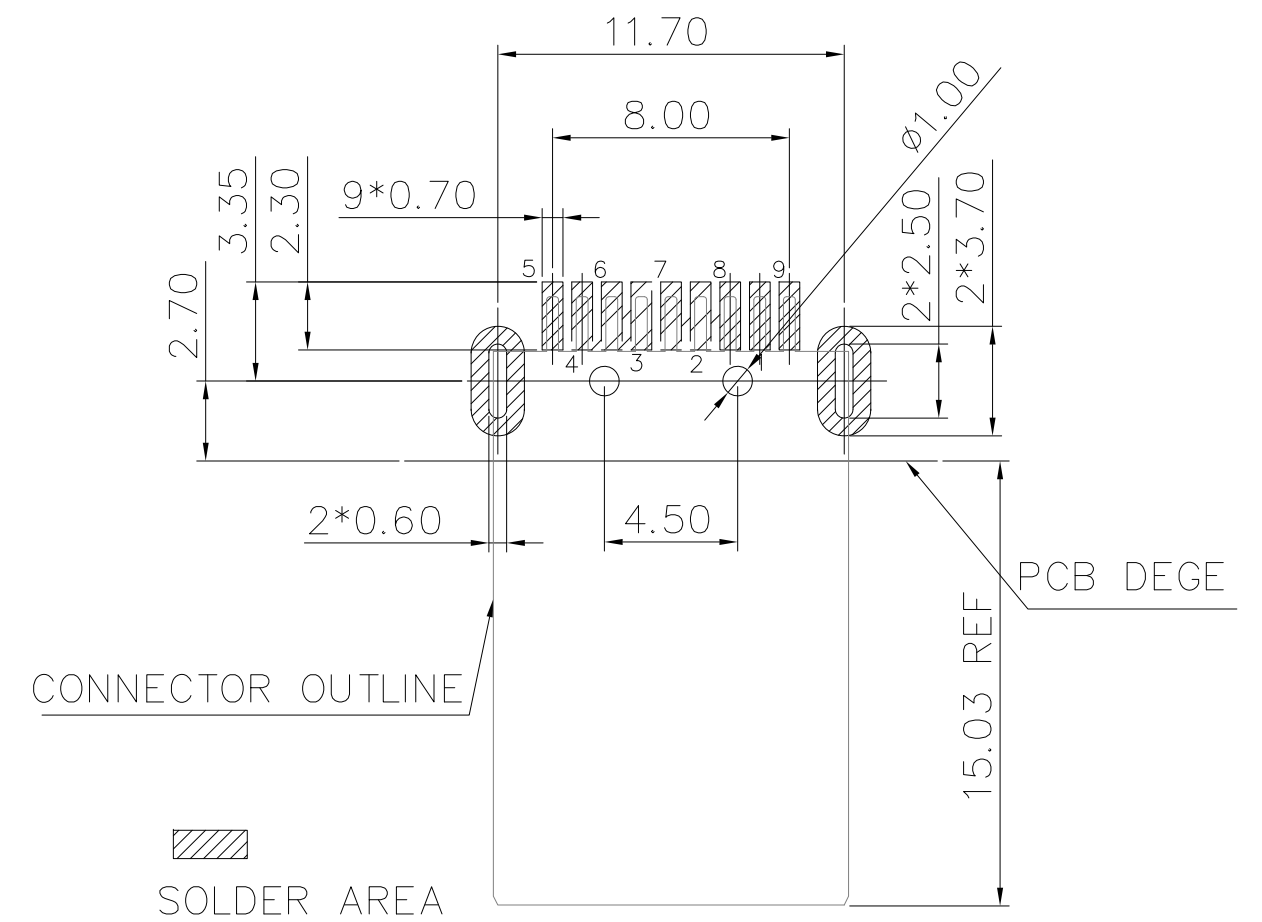
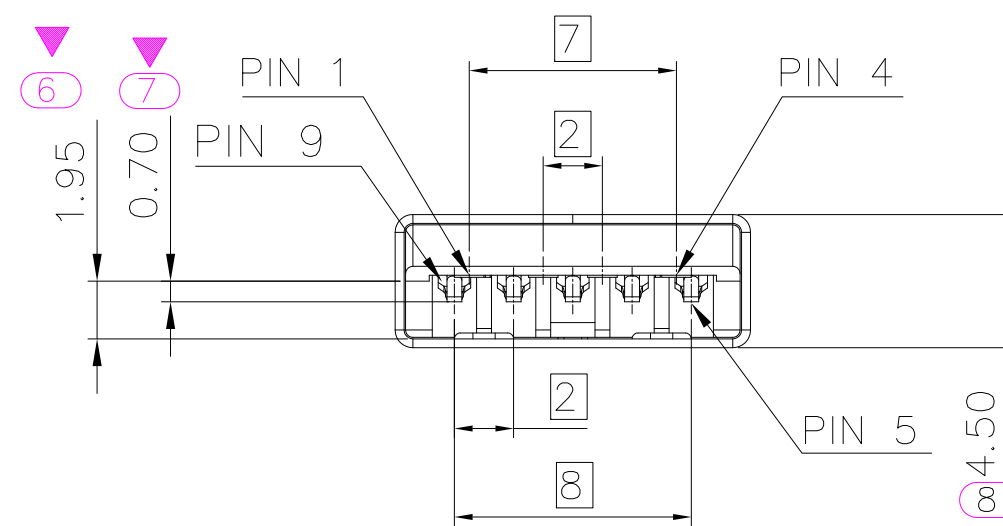
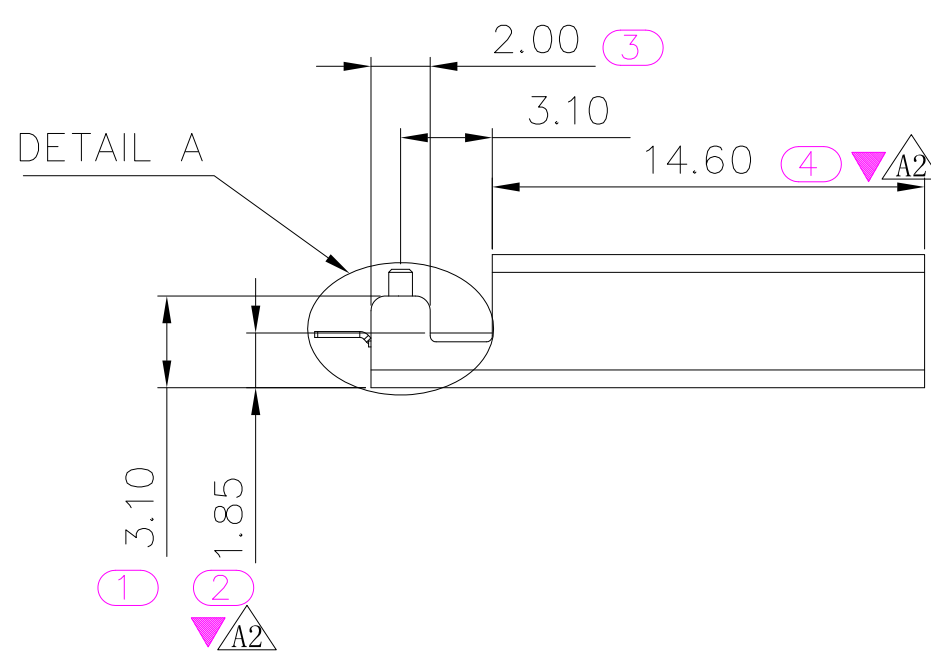
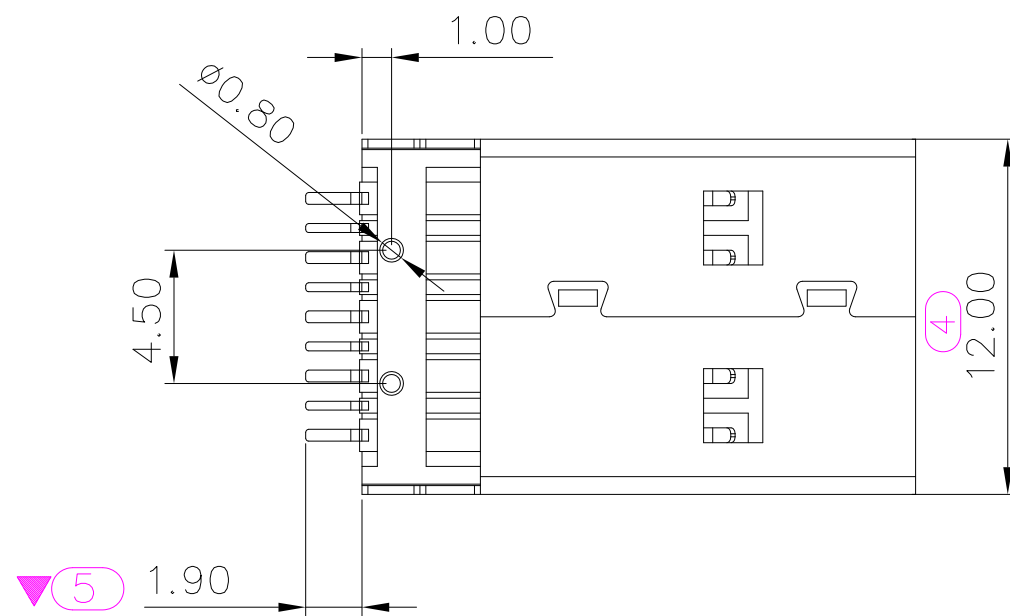
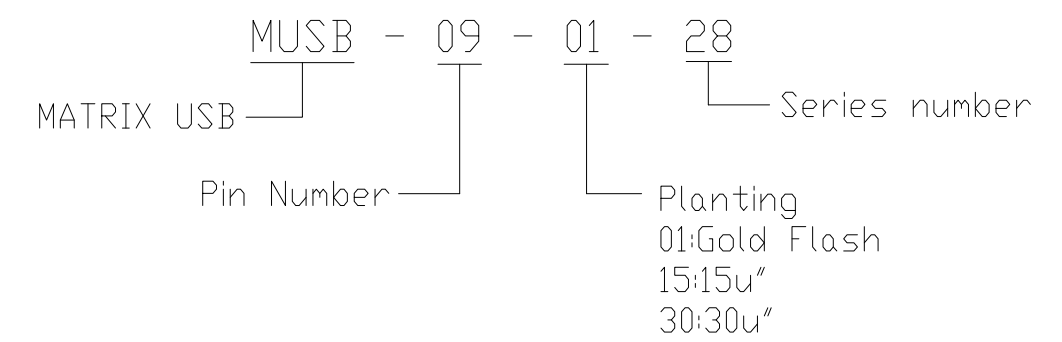
1.MATERIAL:

- 1.1 HOUSING: HIGH TEMPERATURE THERAL PLASTIC,COLOR: BLUE
- 1.2 CONTACT: BRASS T=0.20t
- 1.3 SHELL: SPCC . T=0.30t
- 1.4 Material: LCP

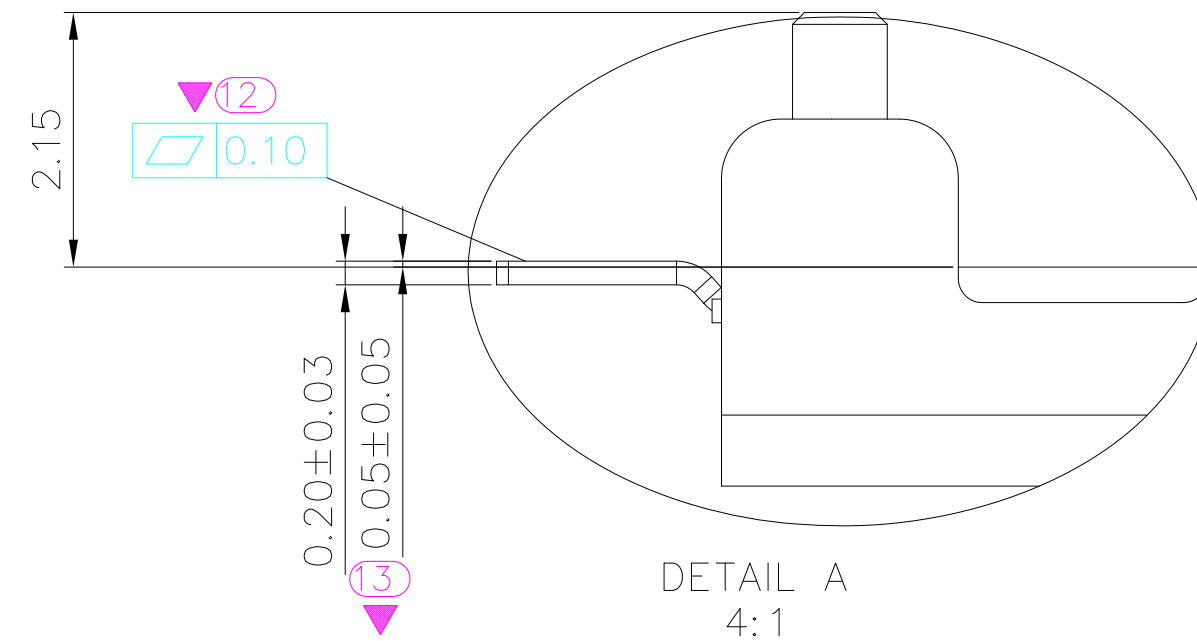
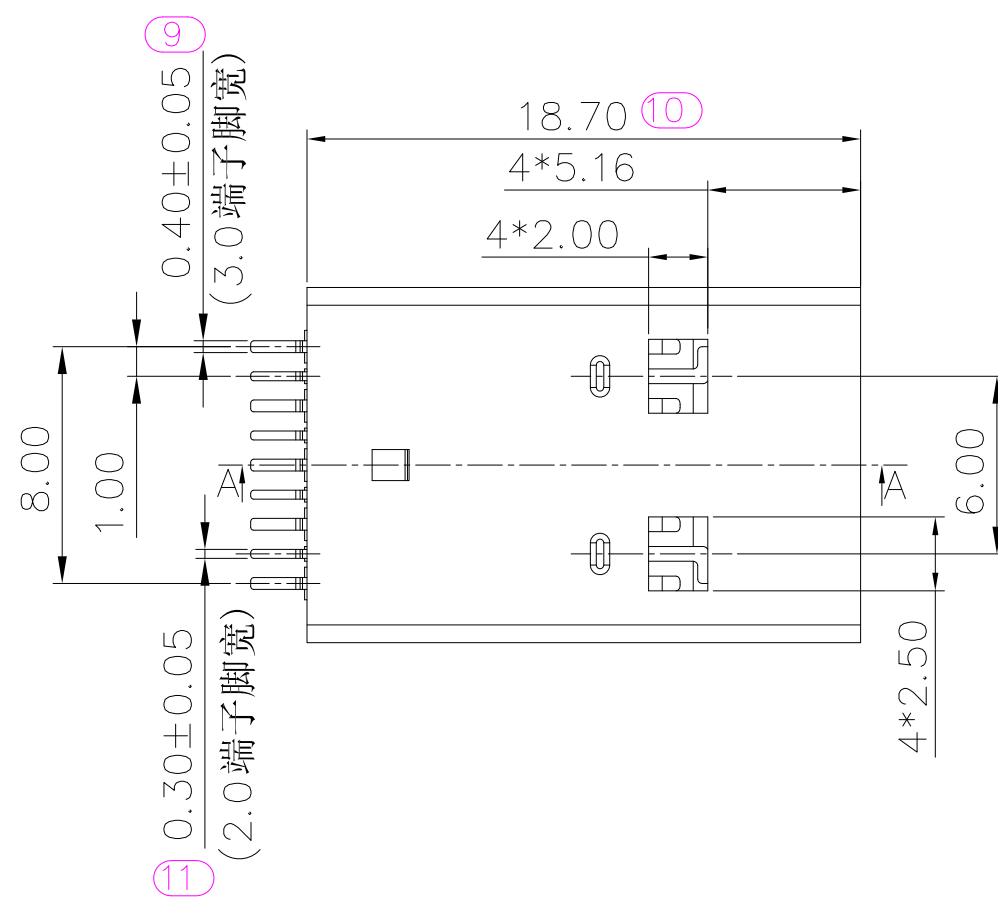
2.FINISH:

- 2.1 CONTACT: GOLD(SEE TABLE) PLATED ON CONTACT AREA,100 μ "MIN. MATTE-TIN ON SOLDER TAIL WITH ENTIRE ONTACT UNDERPLATED 50 μ " MIN. NICKEL.
- 2.2 SHELL: 50 μ " MIN. NICKEL OVER 100 μ "MIN. COPPER ON SHELL PLATED.

MATRIX PART NO:



TOLERANCE: ± 0.05 , THICKNESS: 1.2mm
RECOMMENDED PCB LAYOUT
(TOP VIEW)



NO	VARIETY	QTY	METERIAL	REMARK
TOLERANCE: X.X ±0.38 X.XX ±0.25 X.XXX ±0.13 ANGLE: $\pm 3^\circ$		DESIGN BY : Jamie Zie	DATE : 2014/03/20	PART NAME: USB 3.0 AM SMT 1.85 TYPE 有柱
		CHECKED BY: Vicky Hsieh	DATE : 2014/03/20	PART NO. MUSB09-01-28
UNIT: mm [inch] SCALE:1:1 SIZE:A4		APPROVED BY1: Richard Hsieh	DATE : 2014/03/20	MOLD NO. NA
		APPROVED BY2: Richard Hsieh	DATE : 2014/03/20	DRAW NO. SHEET NO. 1 OF 1