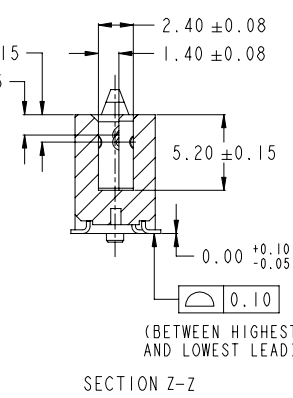
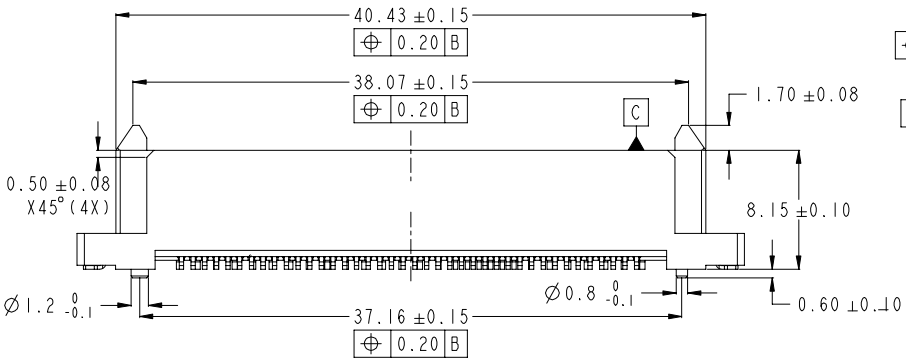
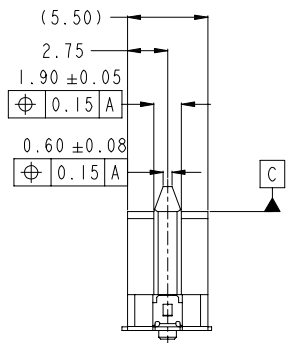
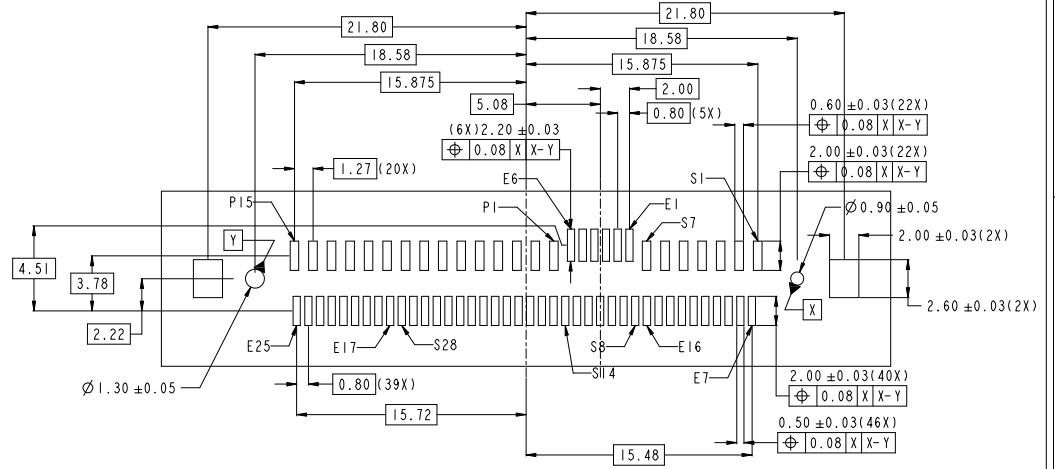
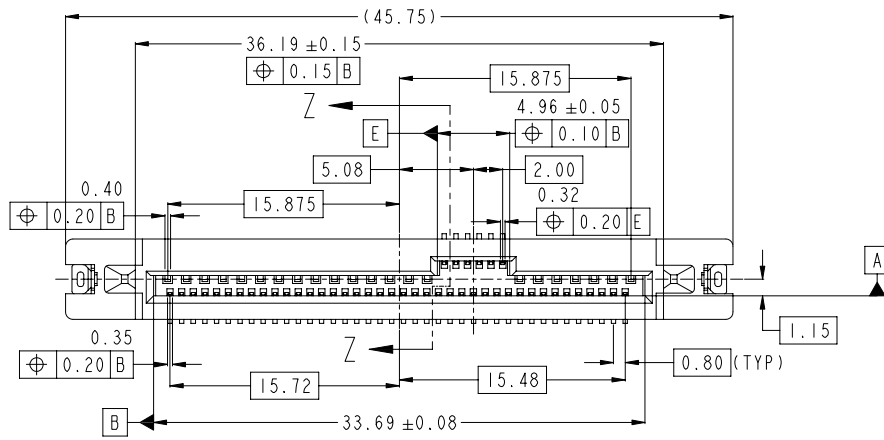


GP Component

REV.	ECN NO.	LOCATIONS	DESCRIPTION	DATE	DESIGN
AO			Initial	2014/09/25	Phebe Su



NOTES:
 1.MATERIAL:
 HOUSING : High Temperature Thermoplastic ,
 UL94V-0, COLOR : BLACK
 TERMINAL(max): Copper Alloy
 TERMINAL(min): Copper Alloy
 FORKLOCK: Copper Alloy
 2.FINISH:
 2.1 CONTACT: GOLD FLASH ON CONTACT AREA/100μ" Min
 MATTE TIN ON SOLDER AREA. NICKEL UNDER PLATING.
 2.2 SHELL: SOLDERABILITY NICKEL PLATING OVER ALL.

MATRIX PART NO:
 MST 68 - 01 - 41
 MATRIX SATA Pin Number Series Number
 Planting
 01:Gold Flash
 15:15u"
 30:30u"

NO	VARIETY	QTY	MATERIAL	REMARK
Matrix Electronics Co.,Ltd				
TOLERANCE: X.X ±0.25 X.XX ±0.15 X.XXX ±0.05 ANGLE: ±3°		DESIGN BY : Phebe Su	DATE : 2014/09/25	PART NAME: PCle-SAS 180° SMT ASSY
APPROVED BY1: Richard Hsieh		DATE : 2014/09/25	PART NO.	MST68-01-41
APPROVED BY2: Richard Hsieh		DATE : 2014/09/25	MOLD NO.	NA
UNIT: mm [inch] SCALE:1:1 SIZE:A4		DATE :	DRAW NO.	SHEET NO. 1 OF 1