



Feature



- Designed for long haul gigabit Ethernet 1000 BASE-T, full duplex applications.
- Supports 16 pairs of category 5 UTP cable.
- Cable interface for isolation and low common mode emissions.
- Compliant with IEEE 802.3at standard for 1000 BASE-T.
- Operating temperature range: 0°C to +70°C.
- Storage temperature range: -25°C to +85°C.

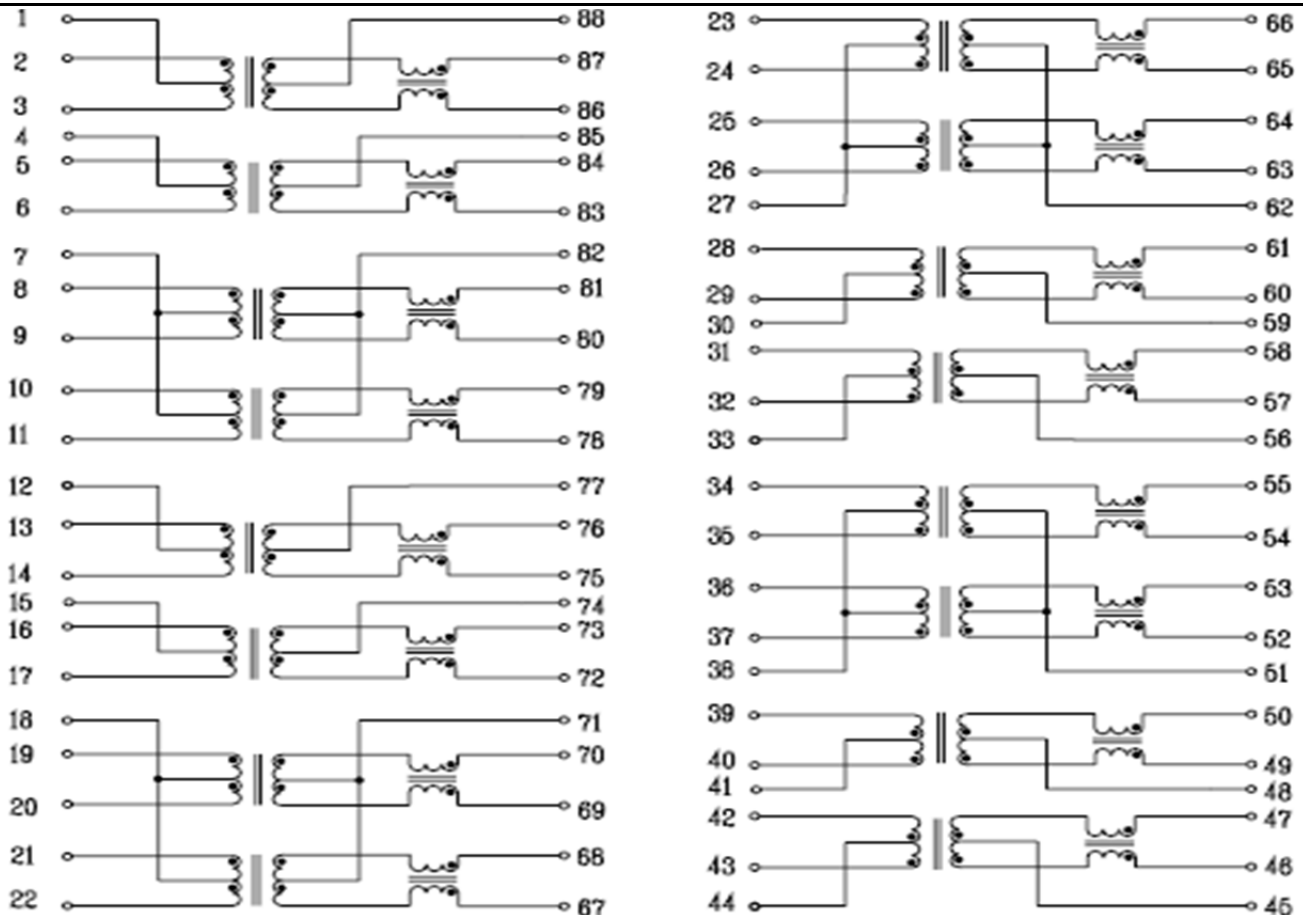
Electrical Specifications @25°C

| Part Number | Tums Ratio (±5%) | | OCL(uH Min.) @100KHz/0.1V with 8mA DC Bias | DCMR (dB Min.) | | | HI-POT (Vrms) |
|-------------|------------------|---------|--------------------------------------------------|----------------|-------|--------|---------------|
| | Tx | Rx | | 30MHz | 60MHz | 100MHz | |
| ML88T03RS | 1CT:1CT | 1CT:1CT | 350 | -43 | -37 | -33 | 1500 |

Continue

| Part Number | Insertion Loss (dB Max.) | Return Loss (dB Min.) | | | | | Cross talk (dB Min.) | | |
|-------------|--------------------------|-----------------------|---------|--------|-------|----------|----------------------|-------|-------|
| | | 1-100MHz | 1-30MHz | 40MHz | 50MHz | 60-80MHz | 100MHz | 30MHz | 60MHz |
| ML88T03RS | -1.0 | -18 | -16 | -14.08 | -12.5 | -10 | -40 | -35 | -30 |

Schematic

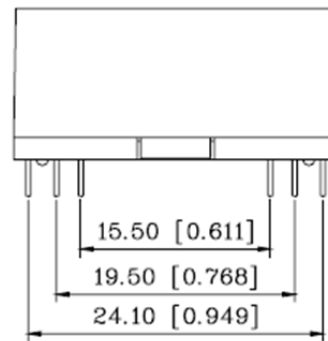
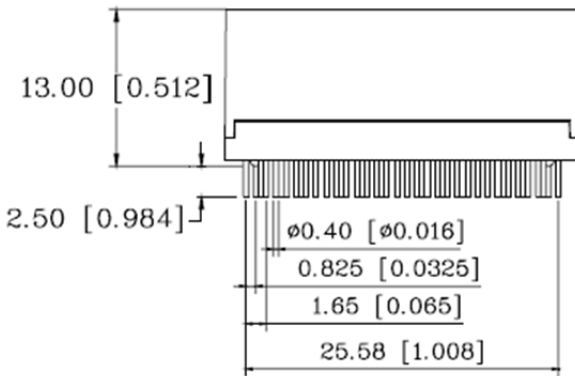
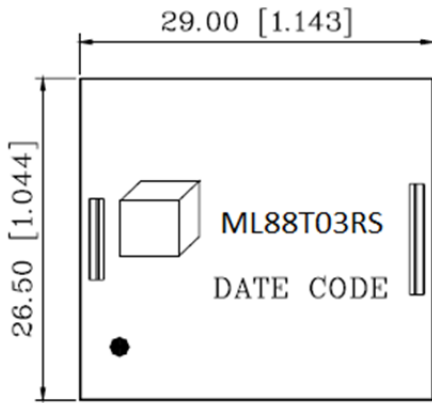




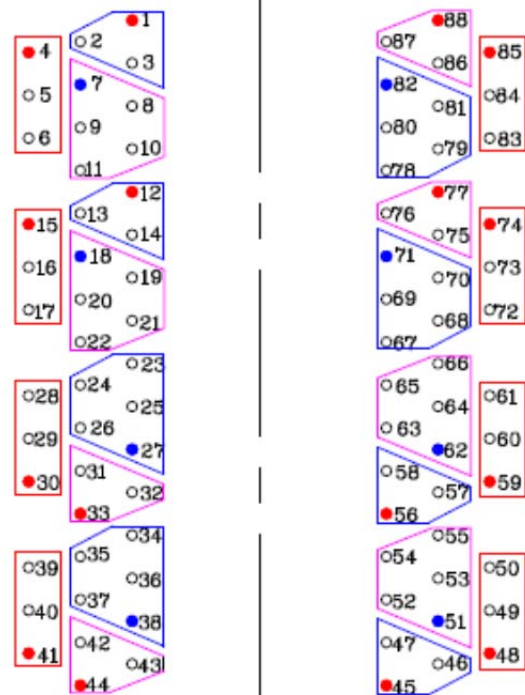
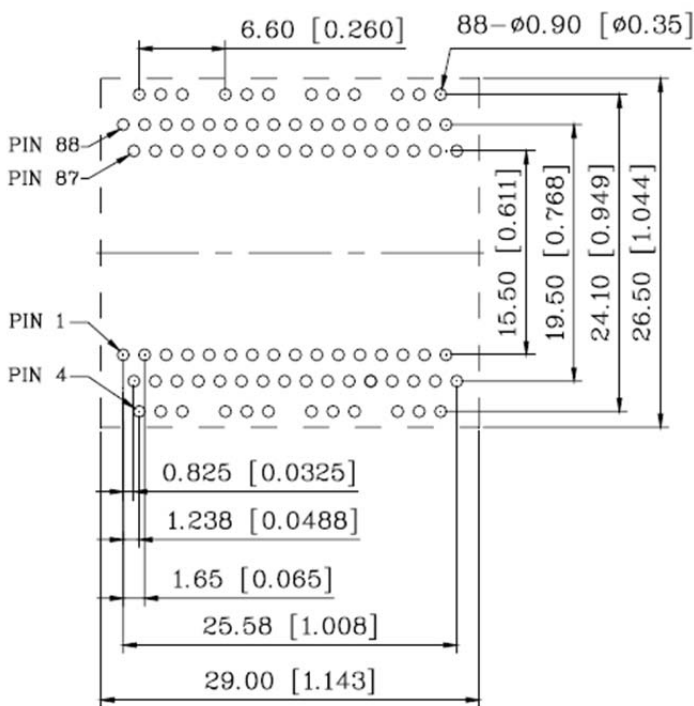
1000 BASE -T QUAD PORT MAGNETICS MODULES

P/N: ML88T03RS

Mechanical



Units: mm [Inches] Tolerance: xx.x0±0.25 [0.004]
0.xx±0.05 [0.002]



Red : PoE Function
Blue : Center Tap