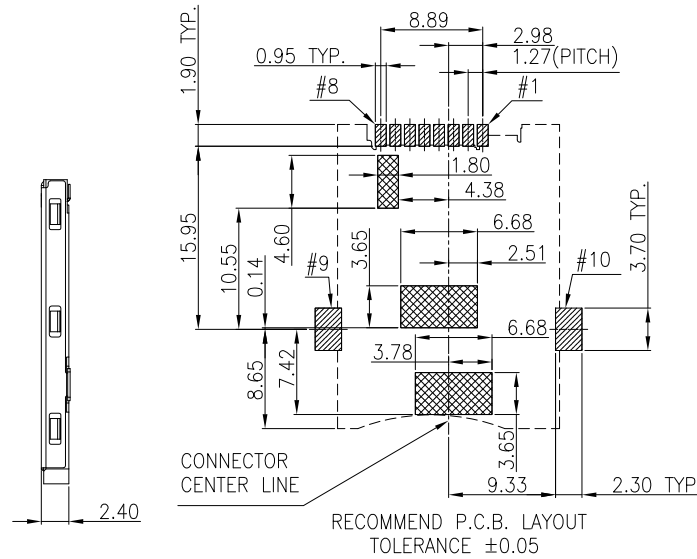
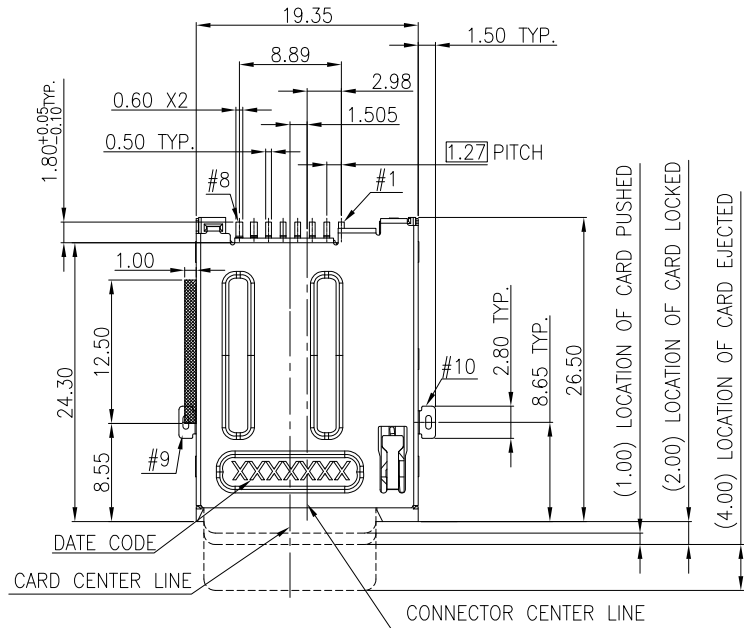


GP Component

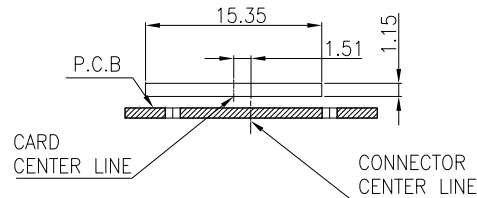
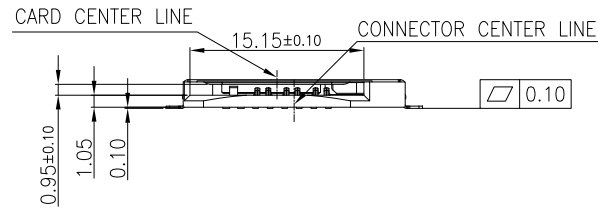
| REV. | ECN NO. | LOCATIONS | DESCRIPTION | DATE | DESIGN |
|------|---------|-----------|-------------|------------|----------|
| A0 | | | Initial | 2016/05/31 | Phebe Su |



NOTES:

1.MATERIAL:

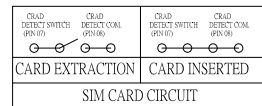
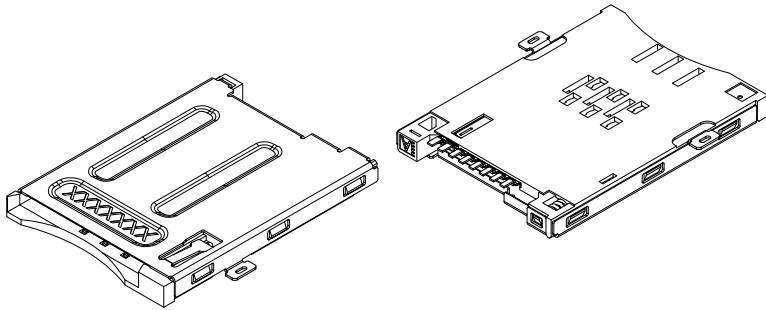
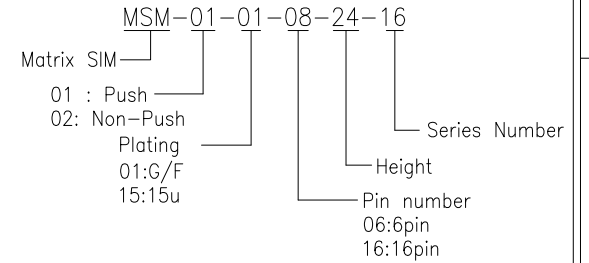
- 1.1 INSULATOR : HIGH TEMPERATURE THERMOPLASTIC
- FLAMMABILITY RATING : UL94V-0 COLOR : BLACK
- 1.2 CONTACT: COPPER ALLOY
- 1.3 COVER: STAINLESS STEEL
- 1.4 HOOK/SPRING: STAINLESS STEEL
- 2.CONTACT AREA PLATING : GOLD OVER NICKLE
- 3.THE ABOVE SURFACE CAN'T BE PRESSED
- 4.THE COMPONENT IS HALOGEN FREE



RECOMMEND CARD SLOT TOLERANCE ±0.05

- ▨ :SOLDER AREA
- ▣ :PATTERN PROHIBITED AREA

MATRIX PART NO:



| PIN NO. | NAME |
|---------|--------------------|
| #1 | VCC |
| #2 | GND |
| #3 | RST |
| #4 | VPP |
| #5 | CLK |
| #6 | I/O |
| #7 | CARD DETECT SWITCH |
| #8 | CARD DETECT COM. |
| #9 | GND |
| #10 | GND |

| NO | VARIETY | QTY | METERIAL | REMARK |
|--|---------|---------------|------------|--------------------|
| | | | | |
| TOLERANCE: X.X ±0.30 X.XX ±0.20 X.XXX ±0.10 ANGLE: ±1° | | DESIGN BY : | DATE : | PART NAME: |
| | | Phebe Su | 2016/05/31 | SIM CARD PUSH PUSH |
| | | CHECKED BY: | DATE : | PART NO. |
| | | Anson Cheng | 2016/05/31 | MSM-01-01-08-24-16 |
| | | APPROVED BY1: | DATE : | MOLD NO. |
| | | Richard Hsieh | 2016/05/31 | NA |
| | | APPROVED BY2: | DATE : | DRAW NO. |
| | | Richard Hsieh | 2016/05/31 | SHEET NO. |
| | | | | 1 OF 1 |