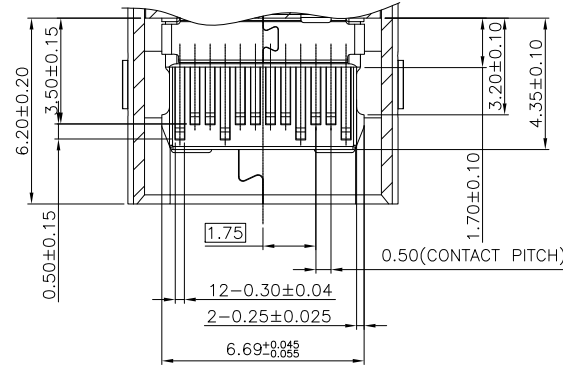
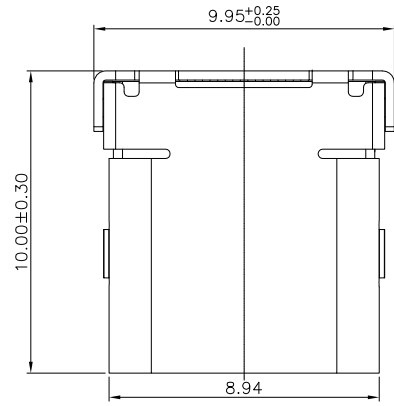


GP Component

REV.	ECN NO.	LOCATIONS	DESCRIPTION	DATE	DESIGN
AO			Initial	2017/07/28	Phebe Su



SECTION A-A

NOTES:

1.MATERIAL:

MOLDING: LCP BLACK UL94 V-0

CONTACT: COPPER ALLOY.

GOLD FLASH PLATED Min ON CONTACT AREA,
100u" Min TIN (LEAD FREE) ON SOLDER AREA,

SHELL: SUS304-H,T=0.30±0.03mm

50u" NICKEL PLATING OVER ALL.

SHILD: SUS304-H,T=0.12±0.03mm

2.MECHANICAL:

INSERTION: 5~20N.

EXTRACTION: 8~20N AFTER TEST.

DURABILITY: 10000 CYCLES

3.ELECTRICAL:

CURRENT: 5A FOR VBUS;

1.25A FOR GND PIN.

0.25A FOR OTHER.

VOLTAGE: 20 V MAX

WITHSTANDING VOLTAGE: 100V AC R.M.S.

CONTACT RESISTANCE: 40mΩ MAX.

INSULATION RESISTANCE: 100MΩ MIN.

4.ENVIRONMENTAL

TEMPERATURE RANGE -40°C ~ +85°C

MATRIX PART NO:

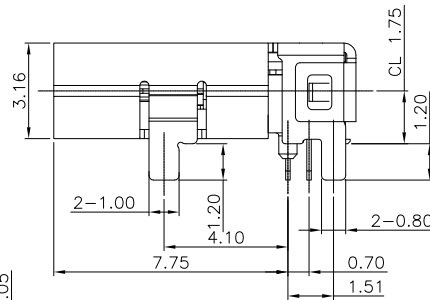
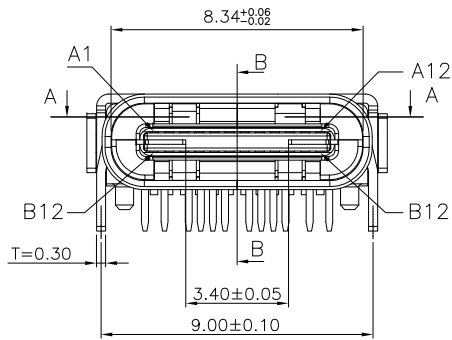
MUSB12-01-242

MATRIX USB

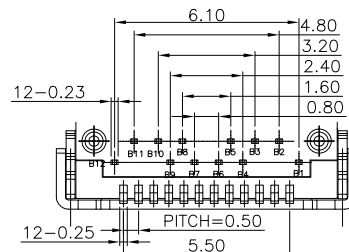
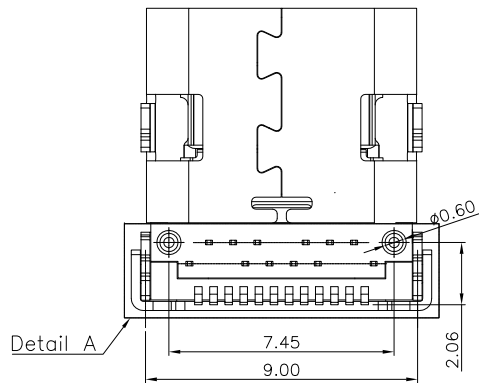
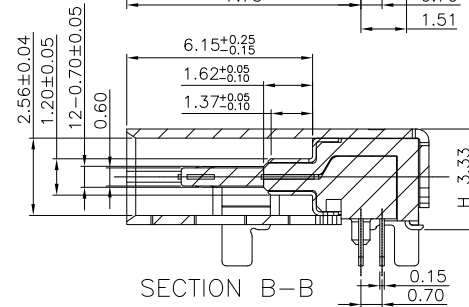
Pin Number

Series number

Plating
01:Gold Flash
15:15u"
30:30u"



SECTION B-B



Detail A



Matrix Electronics Co.,Ltd

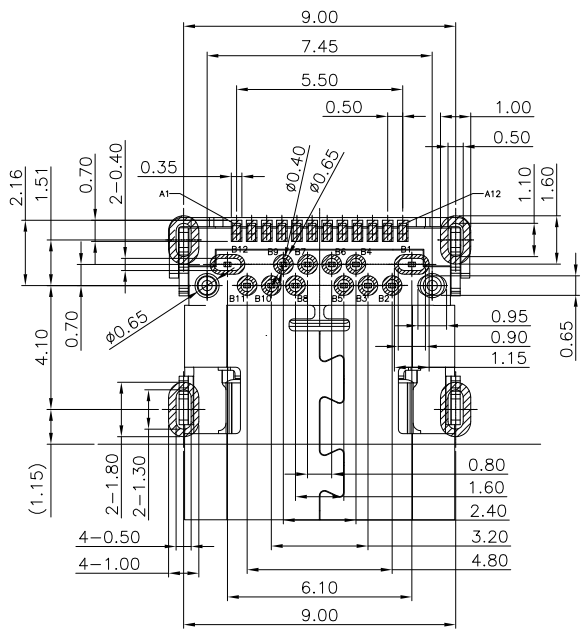
TOLERANCE: X:X ±0.25 X:XX ±0.15 X:XXX ±0.05 ANGLE: ±3°	DESIGN BY : Phebe Su	DATE : 2017/07/28	PART NAME: USB 3.1 Type C Gen 2 Female R/A, CL 1.75	
	CHECKED BY: Vicky Hsieh	DATE : 2017/07/28	PART NO.	MUSB12-01-242
	APPROVED BY1: Richard Hsieh	DATE : 2017/07/28	MOLD NO.	NA
	APPROVED BY2: Richard Hsieh	DATE : 2017/07/28	DRAW NO.	
UNIT: mm [inch] SCALE:1:1 SIZE:A4			SHEET NO.	1 OF 2

GP Component

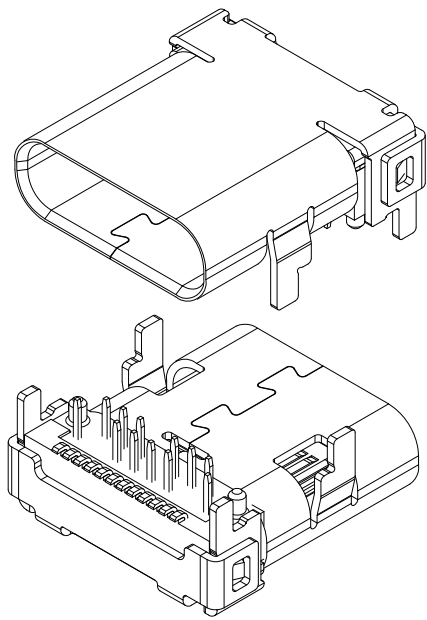
REV.	ECN NO.	LOCATIONS	DESCRIPTION	DATE	DESIGN
A0			Initial	2017/07/28	Phebe Su

USB TYPE-C FULL-FEATURED RECEPTACLE INTERFACE PIN ASSIGNMENTS

PIN	Signal Name	Description	PIN	Signal Name	Description
A1	GND	Ground return	B12	GND	Ground return
A2	SSTXp1	Positive half of first SuperSpeed TX differential pair	B11	SSRXp1	Positive half of first SuperSpeed RX differential pair
A3	SSTXn1	Negative half of first SuperSpeed TX differential pair	B10	SSRXn1	Negative half of first SuperSpeed RX differential pair
A4	VBUS	Bus Power	B9	VBUS	Bus Power
A5	CC1	Configuration Channel	B8	SBU2	Sideband Use (SBU)
A6	Dp1	Positive half of the USB 2.0 differential pair-Position 1	B7	Dn2	Negative half of the USB 2.0 differential pair-Position 2
A7	Dn1	Negative half of the USB 2.0 differential pair-Position 1	B6	Dp2	Positive half of the USB 2.0 differential pair-Position 2
A8	SBU1	Sideband Use (SBU)	B5	CC2	Configuraaion Channel
A9	VBUS	Bus Power	B4	VBUS	Bus Power
A10	SSRXn2	Negative half of second SuperSpeed RX differential pair	B3	SSTXn2	Negative half of second SuperSpeed TX differential pair
A11	SSRXp2	Positive half of second SuperSpeed RX differential pair	B2	SSTXp2	Positive half of second SuperSpeed TX differential pair
A12	GND	Ground return	B1	GND	Ground return



RECOMMEND P.C.B LAYOUT(COMPONENT SIDE)
 TOLERANCE FOR PCB LAYOUT IS ± 0.05
 KEEP OUT AREA



Matrix Electronics Co.,Ltd

TOLERANCE: X.X ±0.25 X.XX ±0.15 X.XXX ±0.05 ANGLE: ±3°	DESIGN BY : Phebe Su CHECKED BY: Vicky Hsieh	DATE : 2017/07/28 DATE : 2017/07/28 DATE : 2017/07/28 DATE : 2017/07/28	PART NAME: USB 3.1 Type C Gen 2 Female R/A, CL 1.75 PART NO. MUSB12-01-242 MOLD NO. NA DRAW NO. SHEET NO. 2 OF 2
	APPROVED BY1: Richard Hsieh APPROVED BY2: Richard Hsieh		
UNIT: mm [inch] SCALE:1:1 SIZE:A4			