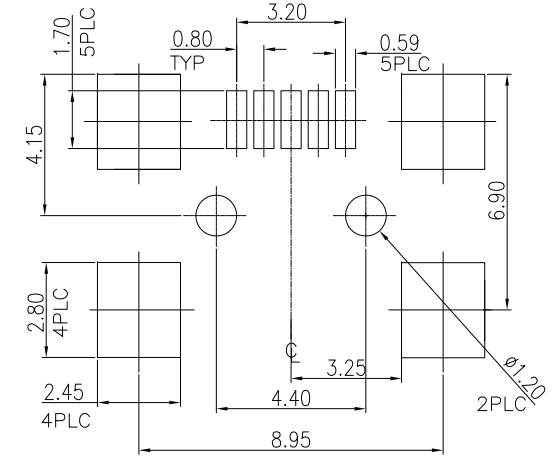
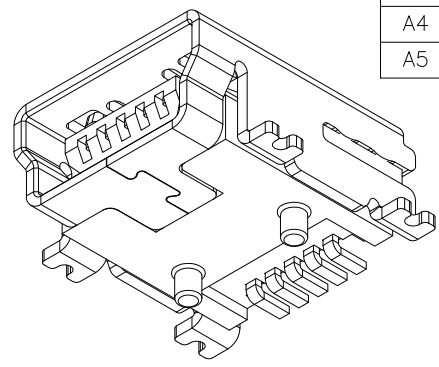
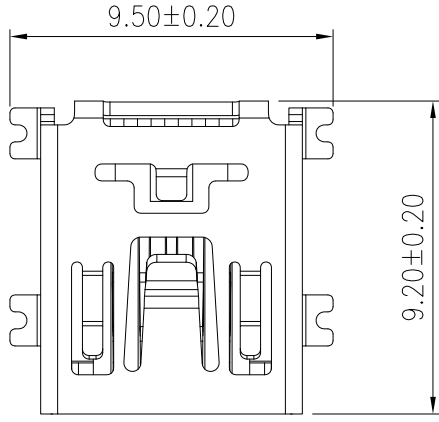
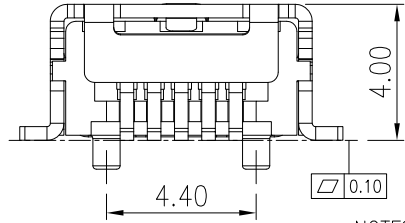
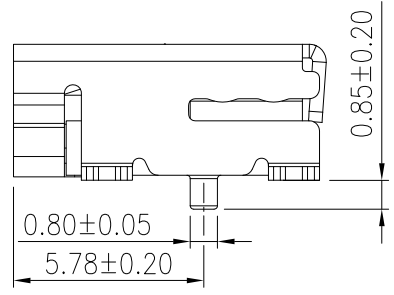
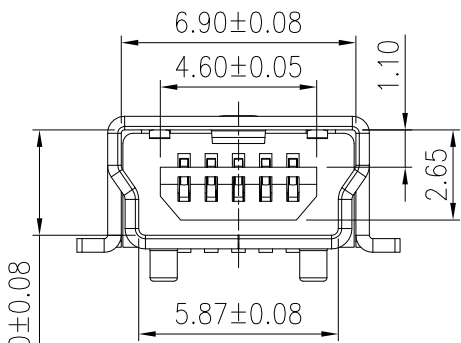


GP Component

REV.	ECN NO.	LOCATIONS	DESCRIPTION	DATE	DESIGN
A0			Initial	2018/07/04	Summer Wang
A1			Change	2015/03/12	Phebe Su
A2			Change	2017/05/16	Phebe Su
A3			Change	2017/06/01	Phebe Su
A4			Change	2018/04/19	Phebe Su
A5			Change	2018/07/06	Phebe Su



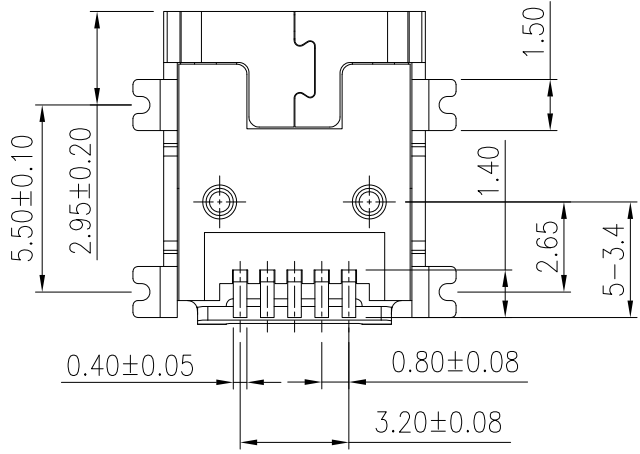
TOLERANCE: ± 0.05
 RECOMMENDED PCB LAYOUT
 (TOP VIEW)





NOTES:

- MATERIAL:
 - HOUSING: LCP BLACK
 - CONTACT: C5191 T=0.20MM
 - SHELL: SPCC T=0.30MM
- FINISH:
 - CONTACT: Gold Flash ON CONTACT AREA/100u" Min TIN ON SOLDER AREA, 50u" MIN. NICKEL UNDERPLATING OVER ALL.
 - SHELL: 50u" MIN. NIKEL PLATING OVERALL.

MATRIX PART NO:
 MUSB 05 - 01 - 63
 MATRIX MINI USB Pin Number Plating 01:Gold Flash Series number



PIN ASSIGNMENT	
CONTACT NUMBER	SIGNAL NAME
1	VBUS
2	D-
3	D+
4	ID
5	GND
SHELL	SHIELD

NO	VARIETY	QTY	MATERIAL	REMARK
 Matrix Electronics Co.,Ltd				
TOLERANCE: X.X ±0.20 X.XX ±0.15 X.XXX ±0.05 ANGLE: ±3°		DESIGN BY : Phebe Su	DATE : 2018/07/06	PART NAME: MINI USB F 5P R/A SMT TYPE
 UNIT: mm [inch] SCALE:1:1 SIZE:A4		CHECKED BY: Vicky Hsieh	DATE : 2018/07/06	PART NO. MUSB05-01-63
		APPROVED BY1: Richard Hsieh	DATE : 2018/07/06	MOLD NO. NA
		APPROVED BY2: Richard Hsieh	DATE : 2018/07/06	DRAW NO. SHEET NO. 1 OF 1