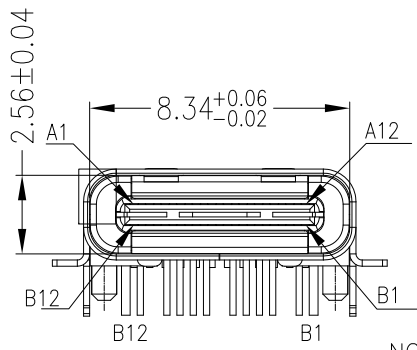
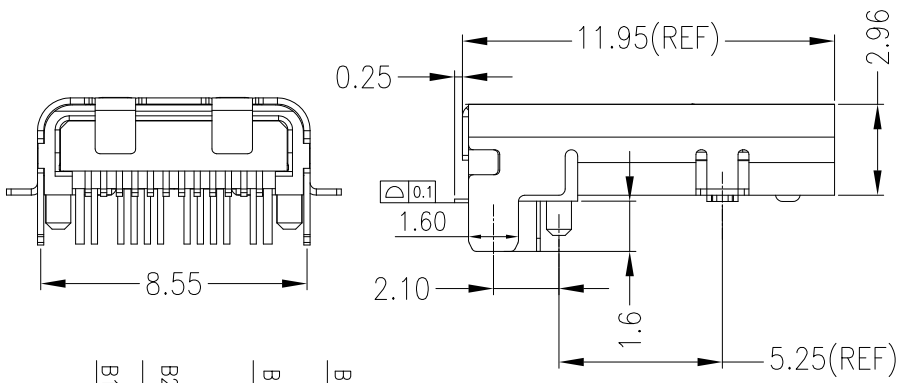
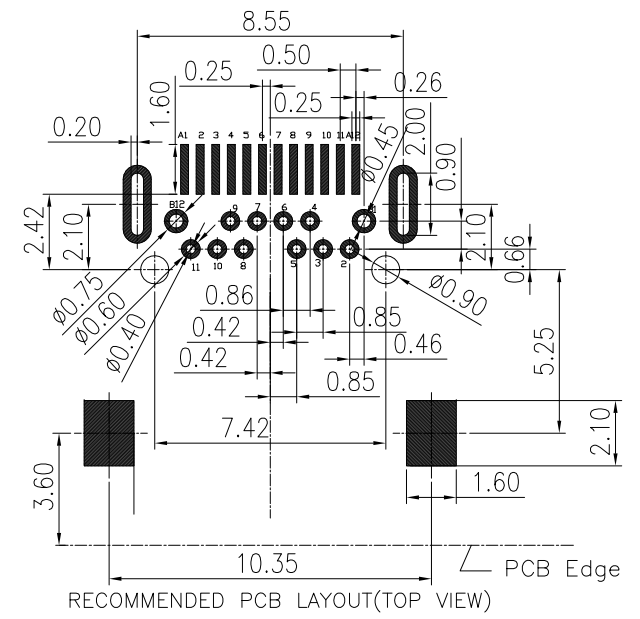
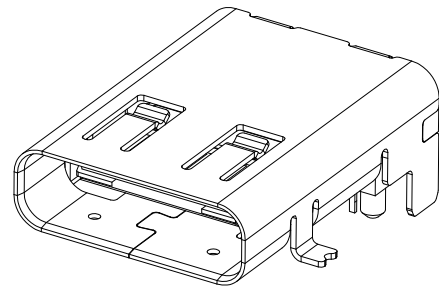
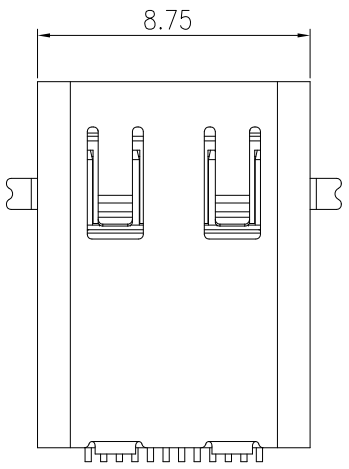


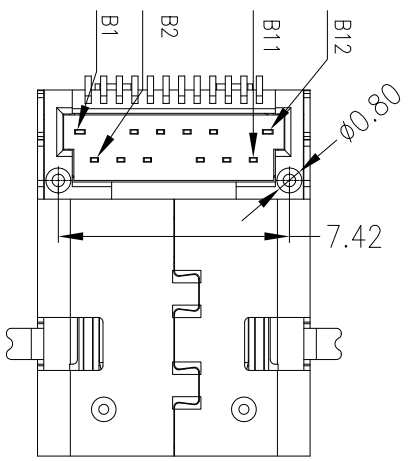
GP Component

REV.	ECN NO.	LOCATIONS	DESCRIPTION	DATE	DESIGN
A0			Initial	2014/11/24	Phebe Su
A1			Update according to the kind	2017/07/13	Phebe Su





A		B	
1	GND	12	GND
2	TX+	11	RX-
3	TX-	10	RX+
4	VBUS	9	PWR
5	CC	8	SBU2
6	D-	7	D+
7	D+	6	D-
8	SBU1	5	Vconn
9	VBUS	4	PWR
10	RX+	3	TX+
11	RX-	2	TX-
12	GND	1	GND

- NOTES:
- MATERIAL:
 - 1.1 HOUSING: LCP+30%G.F.BLACK
 - 1.2 CONTACT: C5191R-H.
 - 1.4 SHELL : STAINLESS STEEL.
 - FINISH:
 - 2.1 CONTACT: GOLD FLASH PLATING ON CONTACT AREA, MATTE TIN PLATING ON SOLDER TAIL AREA, NICKEL UNDER PLATING.
 - 2.2 SHELL: SOLDERABILITY NICKEL PLATING OVER ALL.



MATRIX PART NO:
 MATRIX USB MUSB 12 - 01 - 95 Series number
 Pin Number 12 Plating 01:Gold Flash
15:15u"
30:30u"

NO	VARIETY	QTY	METERIAL	REMARK
 Matrix Electronics Co.,Ltd				
TOLERANCE: X.X ±0.25 X.XX ±0.15 X.XXX ±0.05 ANGLE: ±3°		DESIGN BY : Phebe Su	DATE : 2017/07/13	PART NAME: USB 3.1 TYPE C Gen 2 FEMALE R/A, CL 1.66
 UNIT: mm [inch] SCALE:1:1 SIZE:A4		CHECKED BY: Vicky Hsieh	DATE : 2017/07/13	PART NO. MUSB12-01-95
		APPROVED BY1: Richard Hsieh	DATE : 2017/07/13	MOLD NO. NA
		APPROVED BY2: Richard Hsieh	DATE : 2017/07/13	DRAW NO. SHEET NO. 1 OF 1