

GP Component

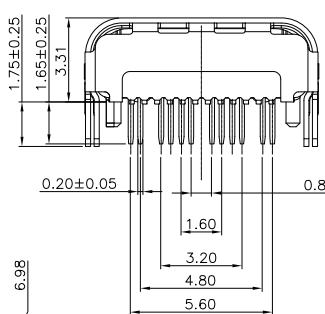
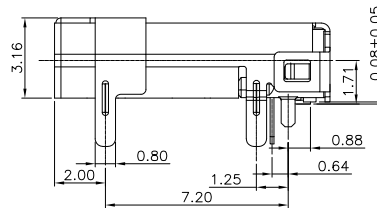
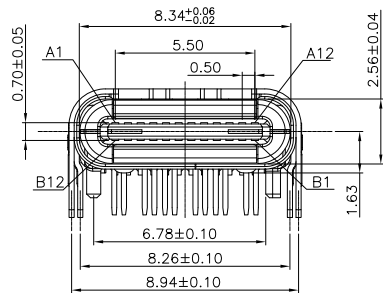
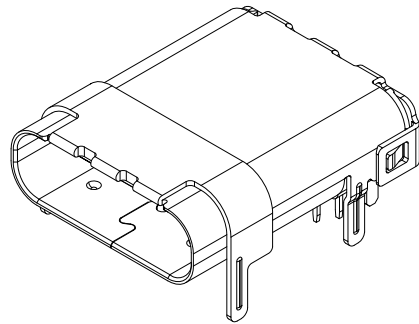
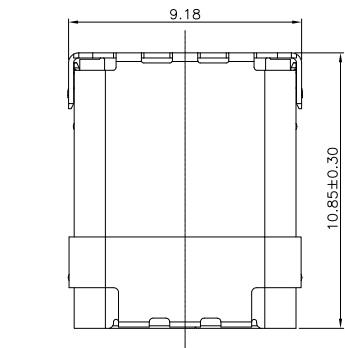
REV.	ECN NO.	LOCATIONS	DESCRIPTION	DATE	DESIGN
AO			Initial	2017/07/28	Phebe Su

USB TYPE-C FULL-FEATURED RECEPTACLE INTERFACE PIN ASSIGNMENTS

PIN	Signal Name	Description	PIN	Signal Name	Description
A1	GND	Ground return	B12	GND	Ground return
A2	SSTxp1	Positive half of first SuperSpeed TX differential pair	B11	SSRx1p1	Negative half of first SuperSpeed RX differential pair
A3	SSTxn1	Negative half of first SuperSpeed TX differential pair	B10	SSRx1n1	Positive half of first SuperSpeed RX differential pair
A4	Vbus	Bus Power	B9	Vbus	Bus Power
A5	CC1	Configuration Channel	B8	SRx2	Sidband Use (SR)
A6	Dp1	Positive half of the USB 2.0 differential pair-Position 1	B7	Dm2	Negative half of the USB 2.0 differential pair-Position 2
A7	Dn1	Negative half of the USB 2.0 differential pair-Position 1	B6	Dp2	Positive half of the USB 2.0 differential pair-Position 2
A8	SR1	Sidband Use (SR)	B5	CC2	Configuration Channel
A9	Vbus	Bus Power	B4	Vbus	Bus Power
A10	SSRx2n2	Negative half of second SuperSpeed RX differential pair	B3	SSTx2n2	Negative half of second SuperSpeed TX differential pair
A11	SSRx2p2	Positive half of second SuperSpeed RX differential pair	B2	SSTx2p2	Positive half of second SuperSpeed TX differential pair
A12	GND	Ground return	B1	GND	Ground return

NOTES:

- MATERIAL:
 - MOLDING: LCP BLACK UL94V-0
 - CONTACT: COPPER ALLOY.
 - GOLD FLASH ON CONTACT AREA, 100u"
 - Min TIN (LEAD FREE) ON SOLDER AREA,
 - SHELL: SUS304-H,T=0.30±0.03mm
 - 50u" NICKEL PLATING OVER ALL.
 - SHILD: SUS304-H,T=0.12±0.03mm
- MECHANICAL:
 - INSERTION: 5~20N.
 - EXTRACTION: 8~20N.
 - DURABILITY: 10000 CYCLES
- ELECTRICAL:
 - CURRENT: 5A MIN FOR VBUS;
 - 0.25A MIN FOR OTHER.
 - VOLTAGE: 20 V MAX
 - WITHSTANDING VOLTAGE: 100V AC.
 - CONTACT RESISTANCE: 40mΩ MAX.
 - INSULATION RESISTANCE: 100MΩ MIN.
- ENVIRONMENTAL
 - TEMPERATURE RANGE -40°C ~ +85°C



MATRIX PART NO:

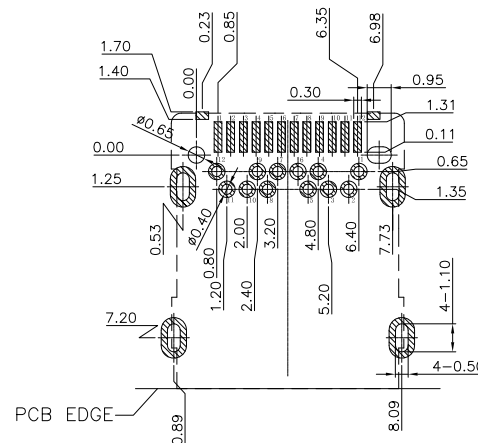
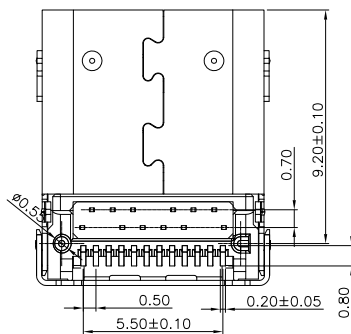
MUSB12-01-240

MATRIX USB

Series number

Pin Number

Plating
01:Gold Flash
15:15u"
30:30u"



RECOMMEND P.C.B LAYOUT (COMPONENT SIDE)

TOLERANCE FOR PCB LAYOUT IS ± 0.05
KEEP OUT AREA



Matrix Electronics Co., Ltd

TOLERANCE: X.X X.XX X.XXX ANGLE: ±3°	DESIGN BY : Phebe Su	DATE : 2017/07/28	PART NAME: USB 3.1 Type C Gen 2 Female R/A, CL 1.71
	CHECKED BY: Vicky Hsieh	DATE : 2017/07/28	PART NO. MUSB12-01-240
	APPROVED BY1: Richard Hsieh	DATE : 2017/07/28	MOLD NO. NA
	APPROVED BY2: Richard Hsieh	DATE : 2017/07/28	DRAW NO. SHEET NO. 1 OF 1