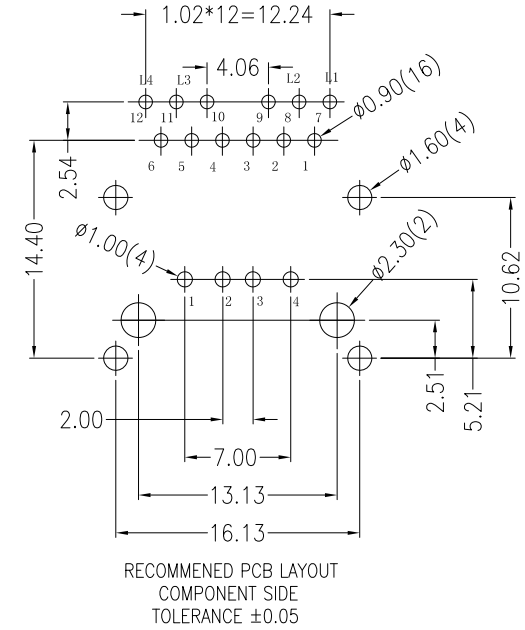
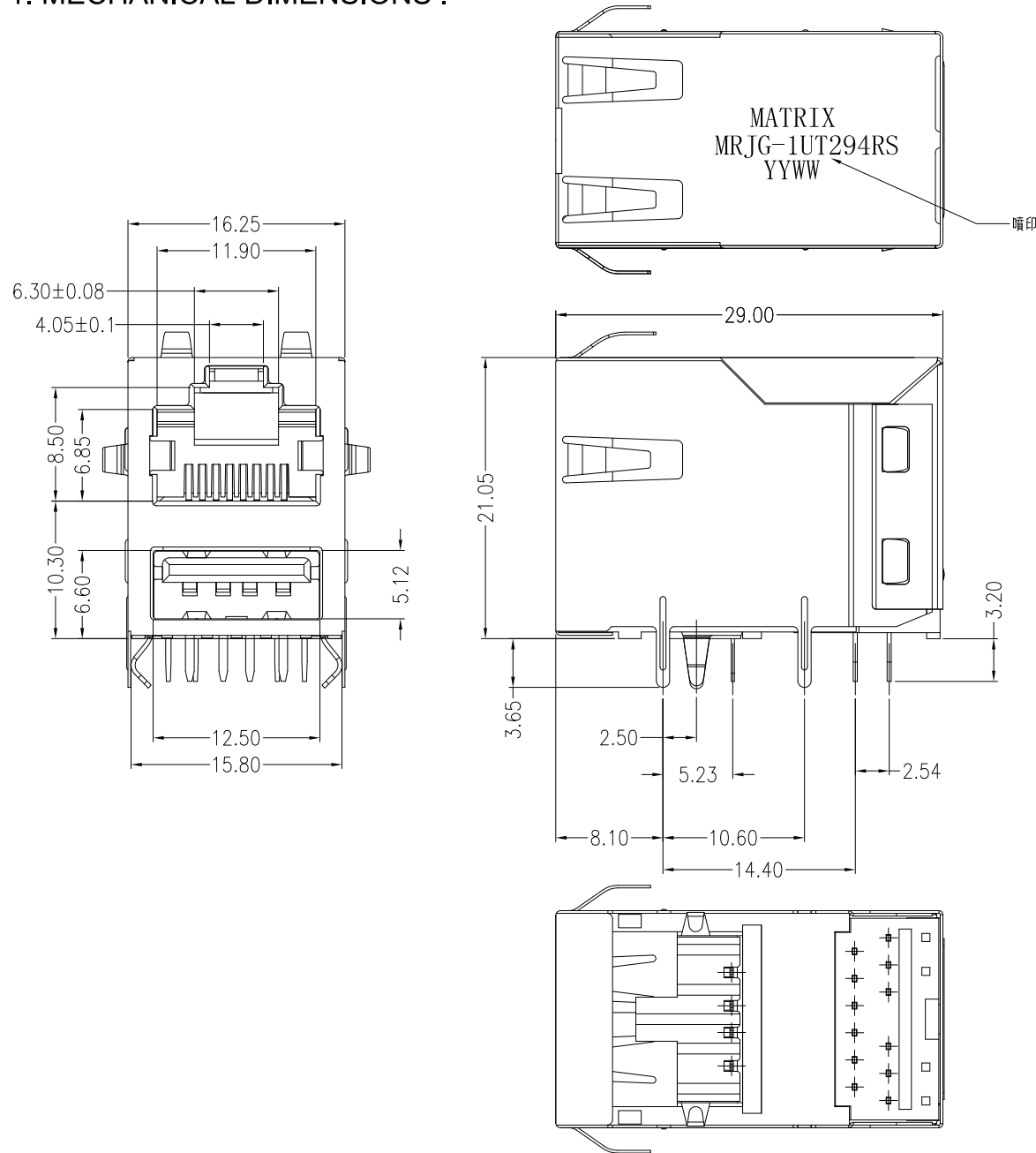



GP Component

REV.	ECN NO.	LOCATIONS	DESCRIPTION	DATE	DESIGN
AO			Initial	2015/05/07	Phebe Su

1. MECHANICAL DIMENSIONS :



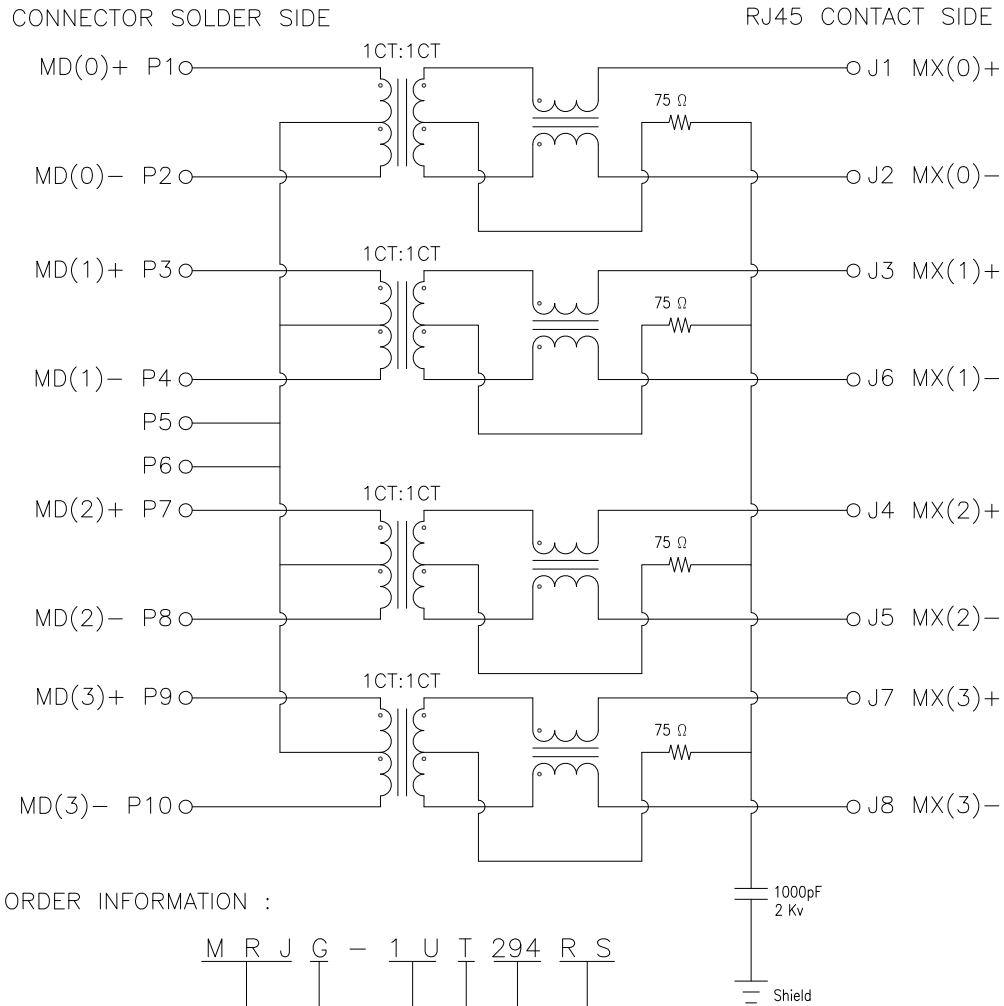
- NOTES:
- MATERIAL:
HOUSING:PBT BLACK(UL94V-0)
CONTACT:PHOSPHOR BORNZE
SHELL:STAINLESS STEEL T=0.20
 - FINISHED:
CONTACT:50u"MIN. NICKEL UNDERPLATING ALL AREA,100u"MIN. TIN ON SOLDER TAILS,SELECT G/F PLATING ON CONTACT AREA.
SHELL:30u"MIN. NICKEL PRE-PLATING ALL AREA
 - USB MECHANICAL:
HOUSING:PBT BLACK(UL94V-0)
CONTACT:PHOSPHOR BORNZE G/F PLATING ON CONTACT AREA
SHELL:SPCC
 - JACK CAVITY CONFORMS TO FCC RULES AND REGULATIONS PART 68, SUBPART F

NO	VARIETY	QTY	METERIAL	REMARK
 Matrix Electronics Co.,Ltd				
TOLERANCE: X:X ±0.38 X:XX ±0.25 X:XXX ±0.13 X.* ±2° X.X* ±1°		DESIGN BY : Phebe Su	DATE : 2015/05/07	PART NAME: RJ45+USB2.0, GIGABIT W/O LED
		CHECKED BY: Vicky Hsieh	DATE : 2015/05/07	PART NO. MRJG-1UT294RS
		APPROVED BY1: Richard Hsieh	DATE : 2015/05/07	MOLD NO. NA
		APPROVED BY2: Richard Hsieh	DATE : 2015/05/07	DRAW NO. SHEET NO. 1 OF 3

GP Component

REV.	ECN NO.	LOCATIONS	DESCRIPTION	DATE	DESIGN
AO			Initial	2015/05/07	Phebe Su

2. SCHEMATIC:



ORDER INFORMATION :

Matrix-RJ45 — M R J G — 1 U T 294 R S — RS:ROHS HF:Halogen Free — Series Number

F : 10/100
G : 10/100/1000
N : Pure Connector

11:1X1 ; 21:2X1
12:1X2 ; 22:2X2
14:1X4 ; 24:2X4
16:1X6 ; 26:2X6
18:1X8 ; 28:2X8
1U:RJ+USB



S: SMD
T: THT

1000pF
2 Kv
Shield

3. ELECTRICAL CHARACTERISTICS :

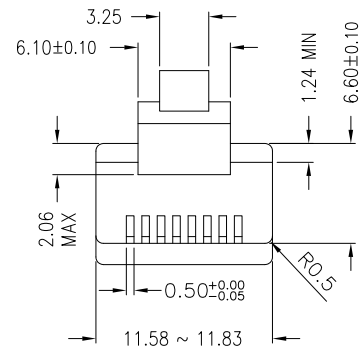
TEST NOTES:(25°±5°C)

- TR:(100KHz,0.1V); 100%
PINS:(P11,P10):(J1,J2)=1:1±3%;(P4,P5):(J3,J6)=1:1±3%
PINS:(P3,P2):(J4,J5)=1:1±3%;(P8,P9):(J7,J8)=1:1±3%
- LX:(100KHz,100mV,8mA, DC Bias) 100%
PINS:(J1,J2),(J3,J6)=350uH MINIMUM
PINS:(J4,J5),(J7,J8)=350uH MINIMUM
- DCR: 100%
PINS:(P11,P10),(P4,P5)=1Ω MAXIMUM
PINS:(P3,P2),(P8,P9)=1.2Ω MAXIMUM
- HIPOT: 100%
PINS(P11,P10)TO(J1,J2),(P4,P5)TO(J3,J6)=1500VAC FOR 60 SECONDS
PINS(P3,P2)TO(J4,J5),(P8,P9)TO(J7,J8)=1500VAC FOR 60 SECONDS
- INSERTION LOSS:
-1.0dB MAXIMUM AT 1MHz TO 100MHz;
- RETURN LOSS:
-20dB MINIMUM AT 1MHz TO 30MHz;
-15dB MINIMUM AT 30MHz TO 60MHz
-10dB MINIMUM AT 60MHz TO 80MHz
- CROSS TALK:
-30dB MINIMUM AT 1MHz TO 100MHz
- COMMON TO COMMON MODE REJECTION:
-30dB MINIMUM AT 1MHz TO 100MHz

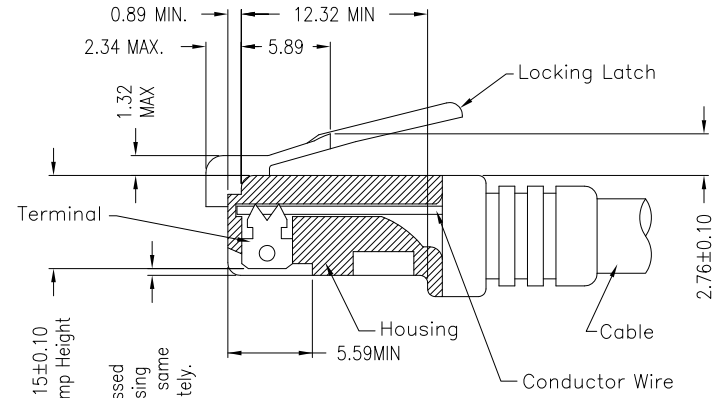
NO	VARIETY	QTY	MATERIAL	REMARK
 Matrix Electronics Co.,Ltd				
TOLERANCE: X.X ±0.38 X.XX ±0.25 X.XXX ±0.13 X.*±2° X.X*±1°		DESIGN BY : Phebe Su	DATE : 2015/05/07	PART NAME: RJ45+USB2.0, GIGABIT W/O LED
 UNIT: mm [inch] SCALE:1:1 SIZE:A4		CHECKED BY: Vicky Hsieh	DATE : 2015/05/07	PART NO. MRJG-1UT294RS
		APPROVED BY1: Richard Hsieh	DATE : 2015/05/07	MOLD NO. NA
		APPROVED BY2: Richard Hsieh	DATE : 2015/05/07	DRAW NO. SHEET NO. 2 OF 3

GP Component

REV.	ECN NO.	LOCATIONS	DESCRIPTION	DATE	DESIGN
AO			Initial	2015/05/07	Phebe Su

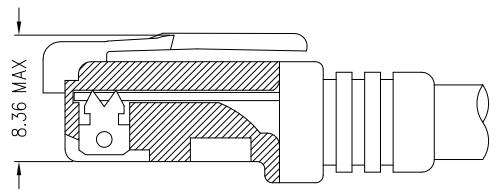


* There must be no damage to housing or locking latch. There must be no nicks or cuts in cable.
 * Durability : 750 cycles generally





All contacts recessed below top of housing and must be at the same height approximately.

FOLLOW SPECIFICATION : FCC, PART 68, SUBPART F FIGURE 68.500 (C)(2)(i) AND IEC 603-7 FIGURE 23 & 24



FOLLOW SPECIFICATION : FCC, PART 68, SUBPART F FIGURE 68.500 (C)(2)(ii)

STANDARD MODULAR PLUG ASSEMBLY

NO	VARIETY	QTY	MATERIAL	REMARK
 Matrix Electronics Co.,Ltd				
TOLERANCE: X.X ±0.38 X.XX ±0.25 X.XXX ±0.13 X.X* ±2° X.X* ±1°		DESIGN BY : Phebe Su	DATE : 2015/05/07	PART NAME: RJ45+USB2.0, GIGABIT W/O LED
 UNIT: mm [inch]		CHECKED BY: Vicky Hsieh	DATE : 2015/05/07	PART NO. MRJG-1UT294RS
SCALE:1:1 SIZE:A4		APPROVED BY1: Richard Hsieh	DATE : 2015/05/07	MOLD NO. NA
		APPROVED BY2: Richard Hsieh	DATE : 2015/05/07	DRAW NO. SHEET NO. 3 OF 3