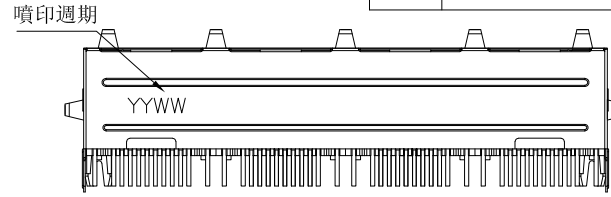
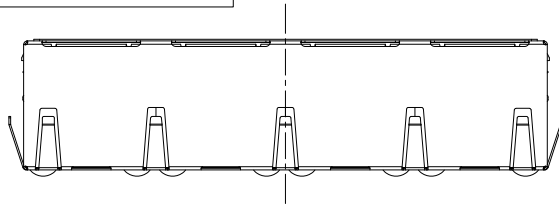


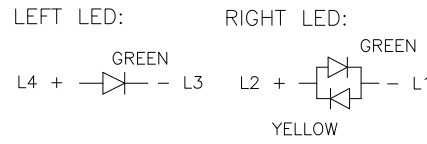
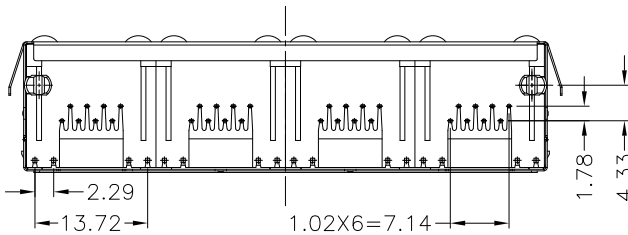
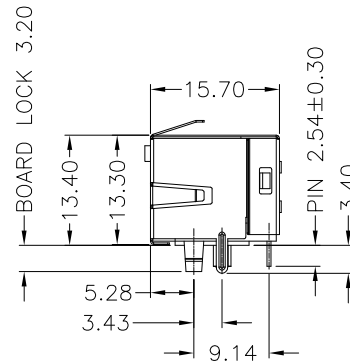
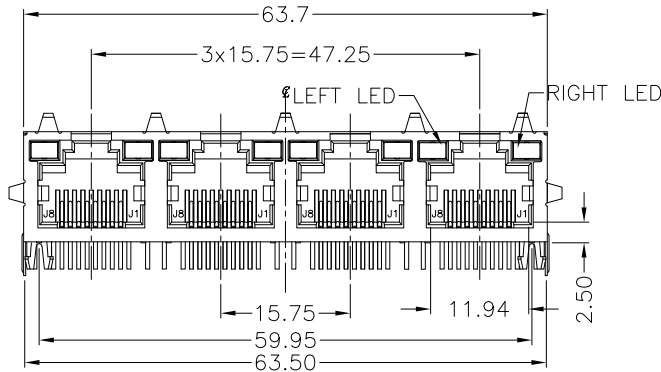
GP Component

REV.	ECN NO.	LOCATIONS	DESCRIPTION	DATE	DESIGN
AO			Initial	2019/07/30	Phebe Su

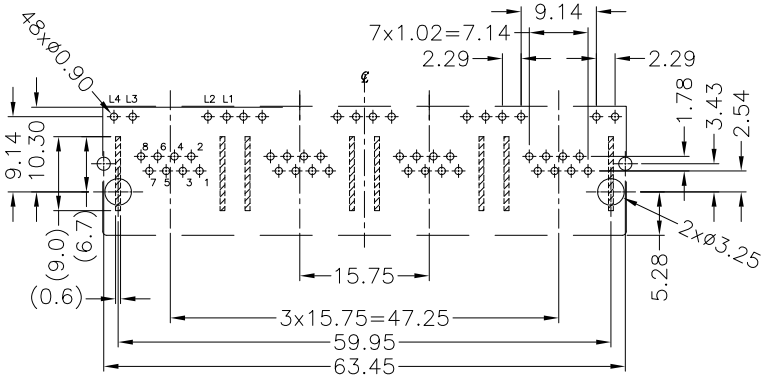
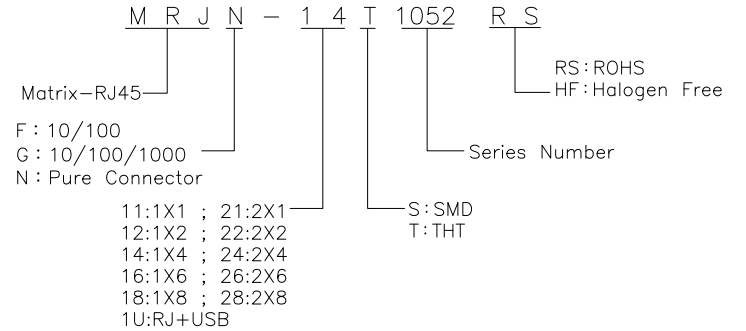


BACK VIEW

NOTES:
 1.MATERIAL:
 HOUSING:LCP Black(UL94V-0)
 CONTACT:PHOSPHOR BORNZE
 SHELL:SUS201-1/2H
 2.FINISHED:
 CONTACT:50u"MIN. NICKEL UNDERPLATING ALL AREA,
 100u"MIN. TIN ON SOLDERTAILS,
 GOLD 6u" PLATING ON CONTACT AREA.
 SHELL:30u"MIN. NICKEL PRE-PLATING ALL AREA
 3.JACK CAVITY CONFORMS TO FCC RULES AND
 REGULATIONS PART 68.500 (D) (2)



MATRIX PART NO:



RECOMMENDED PCB LAYOUT
 COMPONENT SIDE
 TOLERANCE ±0.05



Matrix Electronics Co.,Ltd

TOLERANCE: X.X X.XX ±0.38 X.XXX ±0.25 X.XXX ±0.13 ANGLE: ±3°	DESIGN BY : Phebe Su	DATE : 2019/07/30	PART NAME: RJ45 1x4 JACK W/ LED & SHELL T/H
APPROVED BY1: Richard Hsieh	CHECKED BY: Yoyo Yeh	DATE : 2019/07/30	PART NO. MRJN-14T1052RS
APPROVED BY2: Richard Hsieh	DATE : 2019/07/30	MOLD NO. NA	DRAW NO.
SCALE:1:1 SIZE:A4	DATE : 2019/07/30	SHEET NO. 1 OF 1	