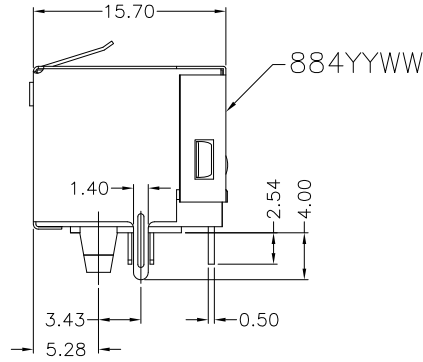
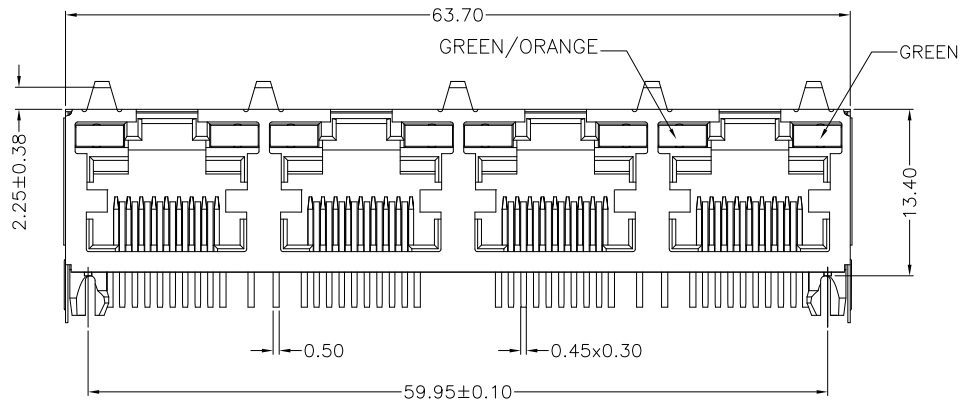
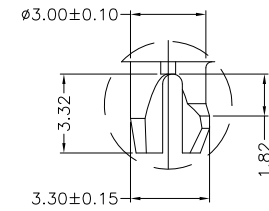
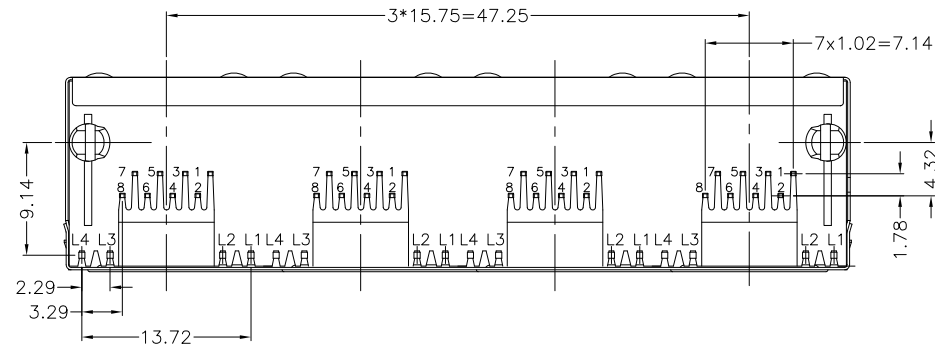


# GP Component

REV.	ECN NO.	LOCATIONS	DESCRIPTION	DATE	DESIGN
AO			Initial	2017/07/17	Phebe Su



- NOTES:
- MATERIALS:  
HOUSING: PBT, UL94V-0, BLACK.  
CONTACTS: T=0.30 mm PHOSPHOR BRONZE, 50u" Min. NICKEL UNDERPLATE 100u" Min. TIN ON SOLDER TAIL GOLD 6u" Min ON CONTACT AREA.  
SHELL: STAINLESS T=0.20 NICKEL 30u" Min OVERALL
  - OPERATING TEMPERATURE: -40°C ~ +85°C
  - LED SPEC  
1) FORWARD VOLTAGE: 1.8~2.4V  
2) REVERSE CURRENT: 10uA MAX  
3) PEAK WAVE LENGTH:  
GREEN: 565~575nm, ORANGE: 600~610nm
  - JACK CAVITY MEET IEC60603-7 AND FCC PART 68, SUBPART F



BOARD LOCK DIMENSION

MATRIX PART NO :

MRJN-14T884RS

Matrix-RJ45

RS: ROHS  
HF: Halogen Free

F: 10/100

G: 10/100/1000

N: Pure Connector

Series Number

11:1X1 ; 21:2X1

12:1X2 ; 22:2X2

14:1X4 ; 24:2X4

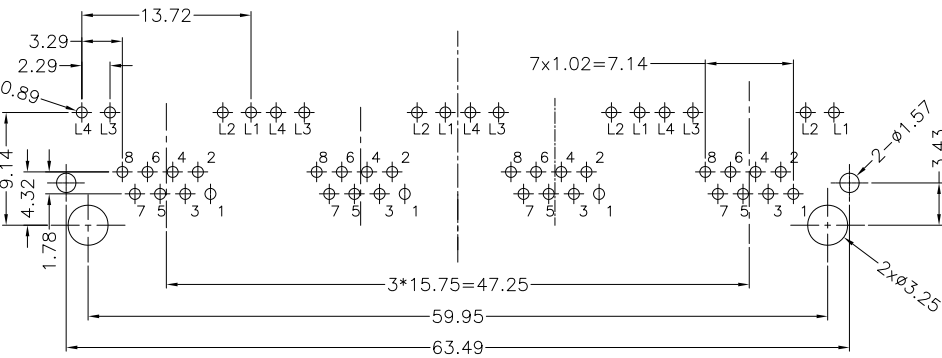
16:1X6 ; 26:2X6

18:1X8 ; 28:2X8

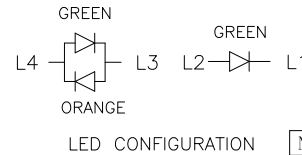
1U:RJ+USB

S: SMD

T: THT



RECOMMENDED PCB LAYOUT  
COMPONENT SIDE  
TOLERANCE ±0.05



NO	VARIETY	QTY	MATERIAL	REMARK
				Matrix Electronics Co.,Ltd
TOLERANCE:		DESIGN BY :	DATE :	PART NAME:
X.X	±0.38	Phebe Su	2017/07/17	RJ45 CONNECTOR 1X4 PORT W/LED
X.XX	±0.25	CHECKED BY:	DATE :	PART NO.
X.XXX	±0.13	Vicky Hsieh	2017/07/17	MRJN-14T884RS
ANGLE: ±3°		APPROVED BY1:	DATE :	MOLD NO.
		Richard Hsieh	2017/07/17	NA
UNIT: mm [inch]		APPROVED BY2:	DATE :	DRAW NO.
SCALE:1:1	SIZE:A4	Richard Hsieh	2017/07/17	SHEET NO.
				1 OF 1