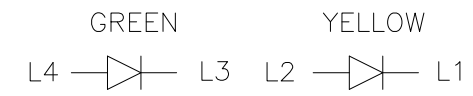
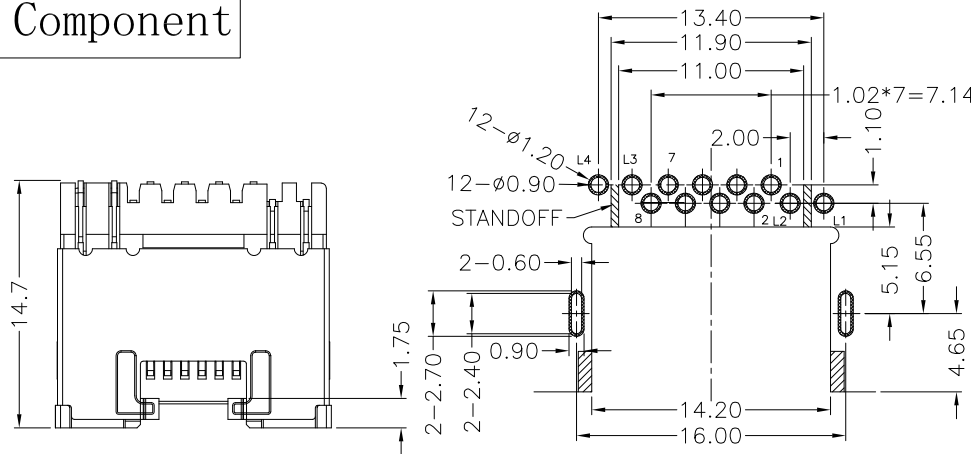


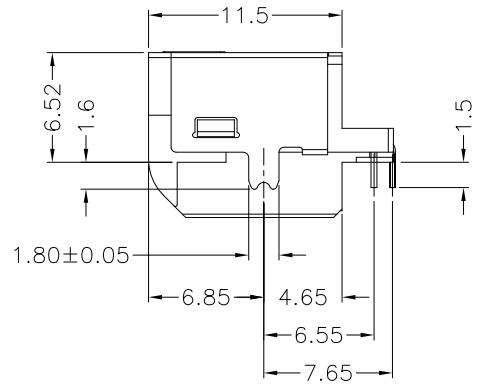
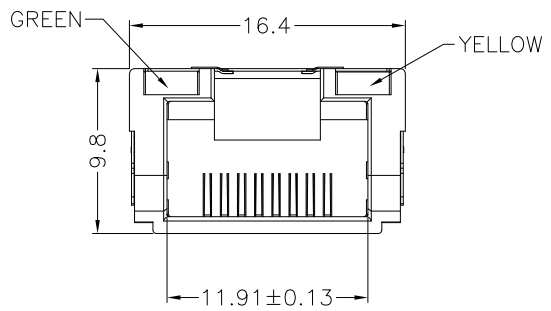
# GP Component

REV.	ECN NO.	LOCATIONS	DESCRIPTION	DATE	DESIGN
A0			Initial	2018/11/15	Phebe Su

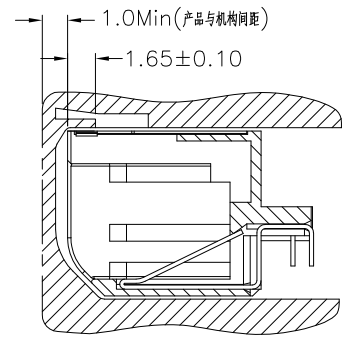
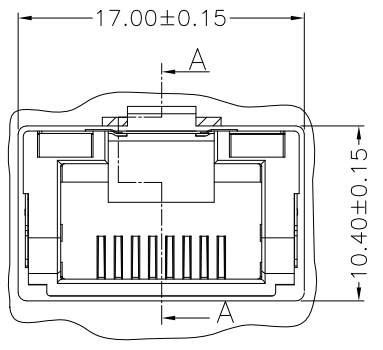
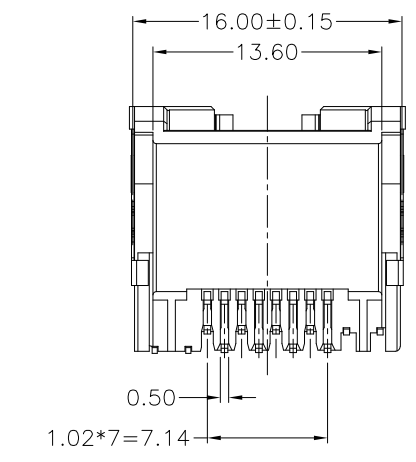


- NOTES:
- MATERIALS:
    - HOUSING: LCP, UL94V-0, BLACK.
    - CONTACTS: T=0.20 mm PHOSPHOR BRONZE, 50u" Min. NICKEL UNDERPLATE 50u" Min. MATTE TIN ON SOLDER TAIL GOLD FLASH ON CONTACT AREA.
    - SHELL: STAINLESS T=0.20 NICKEL 30u" Min. OVERALL
  - OPERATING TEMPERATURE: -40°C ~ +85°C
  - ELECTRICAL:
    - VOLTAGE: 125VAC
    - RATING: 1.5A
    - CONTACT RESISTANCE: 20mΩ MAX
    - INSULATION: 500MΩ MIN.
    - DIELECTRIC:
      - AC 1KV 1mA ,60S BETWEEN ADJACENT CONTACTS
      - AC 1.5KV 1mA ,60S, BETWEEN CONTACTS AND SHELL

RECOMMENED PCB LAYOUT(TOP VIEW)  
TOLERANCE ±0.05 T=1.40mm



MATRIX PART NO:  
**M R J N - 1 1 T 1090 R S**  
 Matrix-RJ45  
 F: 10/100  
 G: 10/100/1000  
 N: Pure Connector  
 11:1X1 ; 21:2X1  
 12:1X2 ; 22:2X2  
 14:1X4 ; 24:2X4  
 16:1X6 ; 26:2X6  
 18:1X8 ; 28:2X8  
 1U:RJ+USB  
 RS: ROHS  
 HF: Halogen Free  
 Series Number  
 S: SMD  
 T: THT



RECOMMENDED  
PANEL CUTOUT DIMENSION

Matrix Electronics Co.,Ltd					
<b>TOLERANCE:</b> X:X ±0.38 X:XX ±0.25 X:XXX ±0.13 ANGLE: ±1°		<b>DESIGN BY :</b> Phebe Su	<b>DATE :</b> 2018/11/15	<b>PART NAME:</b> RJ45 1x1 SHEN W/LED	
		<b>CHECKED BY:</b> Vicky Hsieh	<b>DATE :</b> 2018/11/15	<b>PART NO.</b>	MRJN-11T1090RS
		<b>APPROVED BY1:</b> Richard Hsieh	<b>DATE :</b> 2018/11/15	<b>MOLD NO.</b>	NA
<b>UNIT: mm [inch]</b>		<b>APPROVED BY2:</b> Richard Hsieh	<b>DATE :</b> 2018/11/15	<b>DRAW NO.</b>	
<b>SCALE:1:1</b>	<b>SIZE:A4</b>			<b>SHEET NO.</b>	1 OF 1