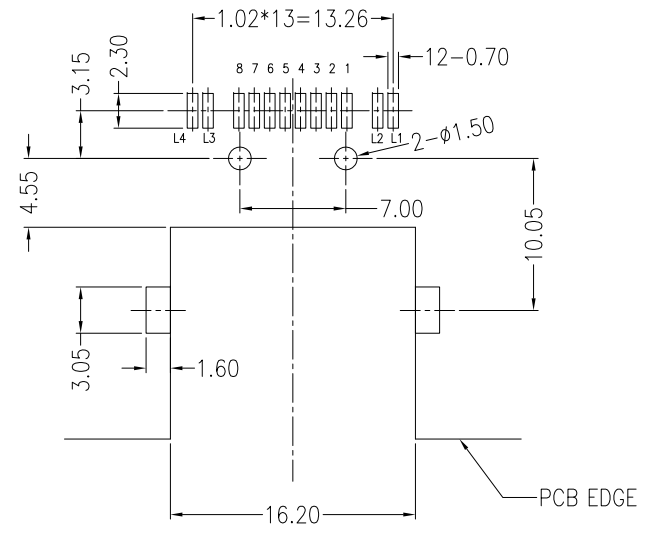
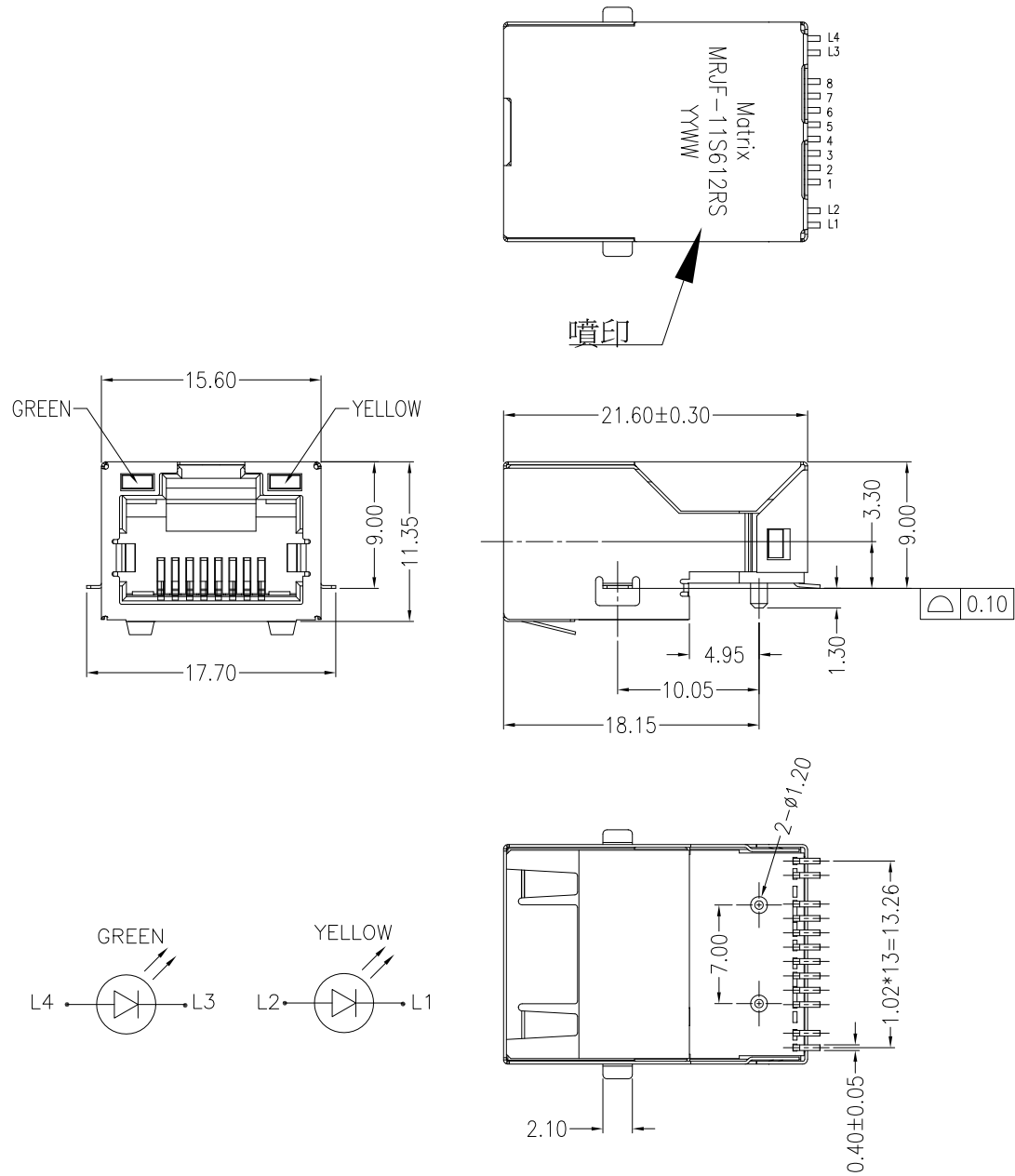


GP Component


REV.	ECN NO.	LOCATIONS	DESCRIPTION	DATE	DESIGN
A0			Initial	2017/01/19	Phebe Su
A1			Change Shell	2017/12/11	Summer Wang

1. MECHANICAL DIMENSIONS :



RECOMMEND PCB LAYOUT (TOP VIEW)
DIMENSIONAL TOLERANCE: ±0.05

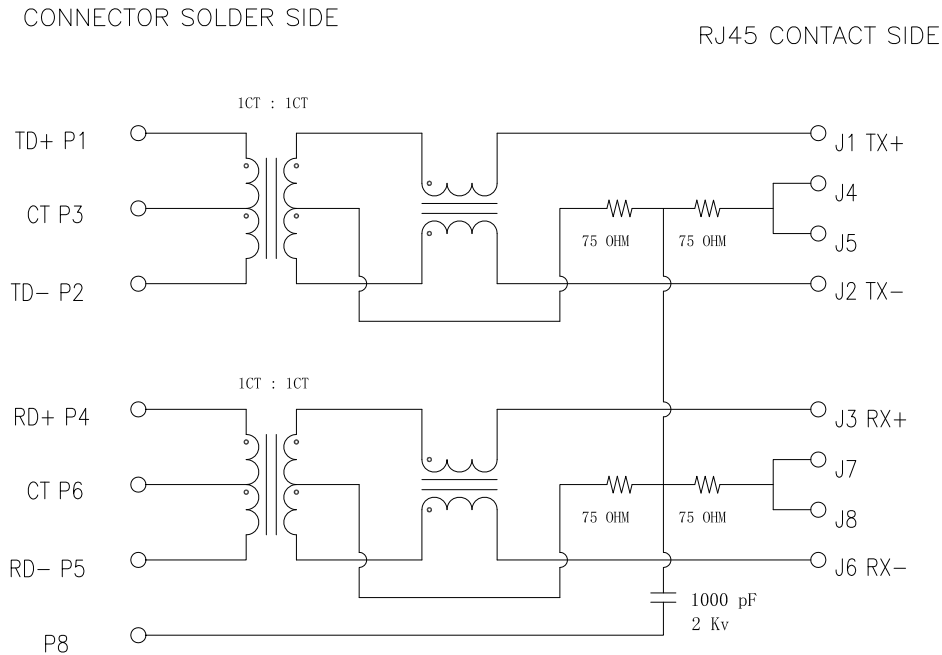
- Material
 - Housing: LCP 30%GF,black,UL94V-0
 - Contact: T=0.30mm Phosphor Bronze
 - Shell: Copper Alloy with nickel plated
- Plating:
 - Contact area: G/F on contact area
 - Solder area: 80u" min. Matt Tin on Solder area
 - Under plating: 30u" min. Nickel over all
- Operating Temperature Range: 0~70°C

NO	VARIETY	QTY	MATERIAL	REMARK
 Matrix Electronics Co., Ltd				
TOLERANCE: X.X ±0.38 X.XX ±0.25 X.XXX ±0.13 ANGLE: ±1°		DESIGN BY : Summer Wang	DATE : 2017/12/11	PART NAME: RJ45, CONNECTORS, SMT TYPE, W/LED, 8P, SC HOLE:10/100Mbps, FILTER
		CHECKED BY: Anson Cheng	DATE : 2017/12/11	PART NO. MRJF-11S612RS
		APPROVED BY1: Richard Hsieh	DATE : 2017/12/11	MOLD NO. NA
		APPROVED BY2: Richard Hsieh	DATE : 2017/12/11	DRAW NO. SHEET NO. 1 OF 3

GP Component

REV.	ECN NO.	LOCATIONS	DESCRIPTION	DATE	DESIGN
A0			Initial	2017/01/19	Phebe Su
A1			Change Shell	2017/12/11	Summer Wang

2. SCHEMATIC:



MATRIX PART NO:

M R J F - 1 1 S 612 R S

Matrix-RJ45

F : 10/100

G : 10/100/1000

N : Pure Connector

11:1X1 ; 21:2X1

12:1X2 ; 22:2X2

14:1X4 ; 24:2X4

16:1X6 ; 26:2X6

18:1X8 ; 28:2X8

1U:RJ+USB

S: SMD

T: THT

RS: ROHS

HF: Halogen Free

Series Number

3. ELECTRICAL CHARACTERISTICS (25±5° C) :

1.0 TURN RATIO(@100KHz,0.1V):

(P1~P2):(J1~J2) :1:1±3%

(P4~P5):(J3~J6) :1:1±3%

2.0 INDUCTANCE(@0.1V,100KHZ,8mA DC BIAS):

(P1~P2) AND (P4~P5): 350uH MIN

3.0 LEAKAGE INDUCTANCE:

P1~P2(SHORT J1 AND J2): 0.35uH MAX @1MHZ

P4~P5(SHORT J3 AND J6): 0.35uH MAX @1MHZ

4.0 INTERWINDING CAPACITANCE:

(P1~P2):(J1~J2): 35pF MAX @ 1MHZ

(P4~P5):(J3~J6): 35pF MAX @ 1MHZ

5.0 DC RESISTANCE:(J1~J2):(J3~J6): 1.2 OHMS MAX

6.0 RETURN LOSS:

1MHZ TO 30MHZ:-18dB MIN

30MHZ TO 60MHZ :-(18-20log(f/30))dB MIN (WHERE f IS IN MHZ)

60MHZ TO 80MHZ :-12dB MIN

7.0 DIELECTRIC WITHSTAND:

(P1~P2):(J1~J2):2250VDC

(P4~P5):(J3~J6):2250VDC

8.0 INSERTION LOSS:



100KHZ~100MHZ:-1.2dB MAX

9.0 CROSS TALK:

1~100MHZ:-35dB MIN

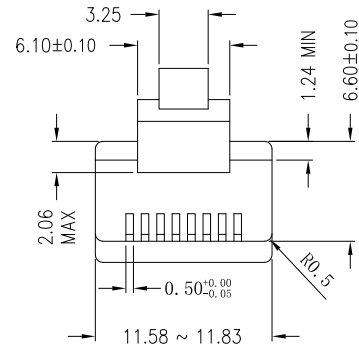
10.0 COMMON TO COMMON MODE ATTENUATION:

1~100MHZ:-30dB MIN

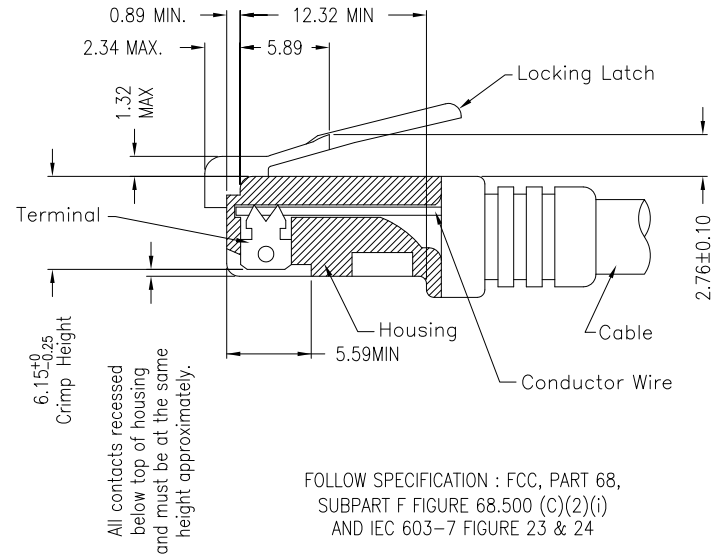
NO	VARIETY	QTY	MATERIAL	REMARK
 Matrix Electronics Co., Ltd				
TOLERANCE: X: X X.X: ±0.38 X.XX: ±0.25 X.XXX: ±0.13 ANGLE: ±1°		DESIGN BY : Summer Wang	DATE : 2017/12/11	PART NAME: RJ45, CONNECTORS, SMT TYPE, W/LED, SP, SC HOLE:10/100Mbps, FILTER
 UNIT: mm [inch]		CHECKED BY: Anson Cheng	DATE : 2017/12/11	PART NO. MRJF-11S612RS
SCALE:1:1 SIZE:A4		APPROVED BY1: Richard Hsieh	DATE : 2017/12/11	MOLD NO. NA
		APPROVED BY2: Richard Hsieh	DATE : 2017/12/11	DRAW NO. SHEET NO. 2 OF 3

GP Component

REV.	ECN NO.	LOCATIONS	DESCRIPTION	DATE	DESIGN
A0			Initial	2017/01/19	Phebe Su
A1			Change Shell	2017/12/11	Summer Wang



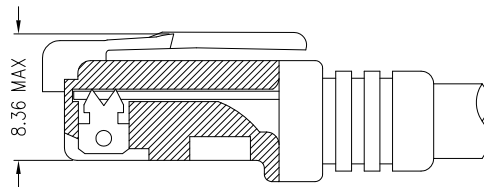
* There must be no damage to housing or locking latch. There must be no nicks or cuts in cable.
 * Durability : 750 cycles generally





All contacts recessed below top of housing and must be at the same height approximately.

FOLLOW SPECIFICATION : FCC, PART 68, SUBPART F FIGURE 68.500 (C)(2)(i) AND IEC 603-7 FIGURE 23 & 24

STANDARD MODULAR PLUG ASSEMBLY



FOLLOW SPECIFICATION : FCC, PART 68, SUBPART F FIGURE 68.500 (C)(2)(ii)

NO	VARIETY	QTY	MATERIAL	REMARK
 Matrix Electronics Co., Ltd				
TOLERANCE: X.X ±0.38 X.XX ±0.25 X.XXX ±0.13 ANGLE: ±1°		DESIGN BY : Summer Wang	DATE : 2017/12/11	PART NAME: RJ45, CONNECTORS, SMT TYPE, W/LED, SP, SC HOLE:10/100Mbps, FILTER
 UNIT: mm [inch]		CHECKED BY: Anson Cheng	DATE : 2017/12/11	PART NO. MRJF-11S612RS
SCALE:1:1 SIZE:A4		APPROVED BY1: Richard Hsieh	DATE : 2017/12/11	MOLD NO. NA
		APPROVED BY2: Richard Hsieh	DATE : 2017/12/11	DRAW NO. SHEET NO. 3 OF 3