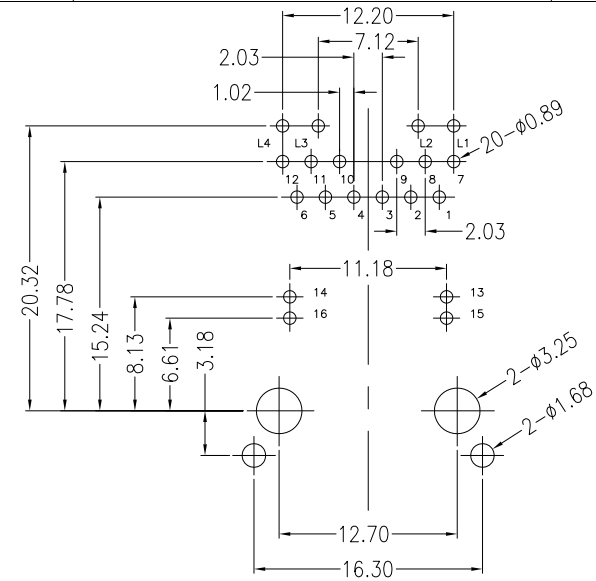
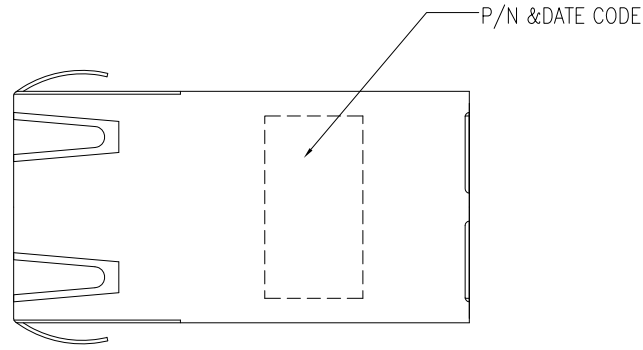


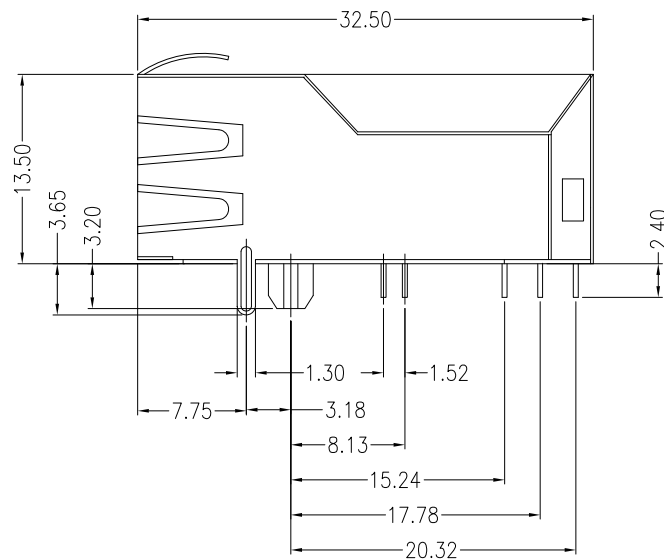
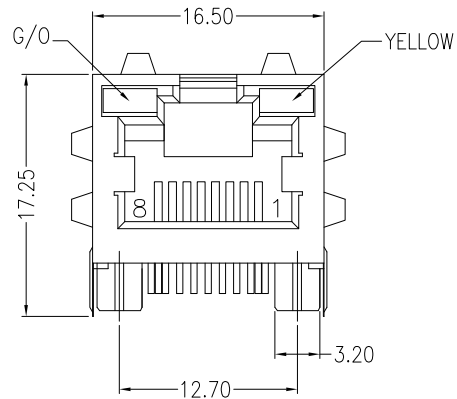
GP Component

| REV. | ECN NO. | LOCATIONS | DESCRIPTION | DATE | DESIGN |
|------|---------|-----------|-------------------|------------|-----------|
| A0 | | | Initial | 2013/01/21 | Jamie Zie |
| A1 | | | Change Shell type | 2016/09/21 | Phebe Su |
| A2 | | | Change pin length | 2017/06/12 | Phebe Su |

1. MECHANICAL DIMENSIONS :




RECOMMENED PCB LAYOUT
COMPONENT SIDE
TOLERANCE ±0.05



NOTES:

- MATERIAL:
HOUSING: PBT BLACK UL94V-0
CONTACTS: PHOSPHOR BRONZE T=0.35
GOLD 6 μ ON CONTACT AREA, TIN PLATING ON SOLERTAIL
SHIELD : COPPER ALLOY T=0.20
NICKEL PLATING OVERALL
- CAVITY CONFIRMS TO FCC RULES AND REGULATIONS PART 68, SUBPART F.
- Operation temperature : -40~+85°C

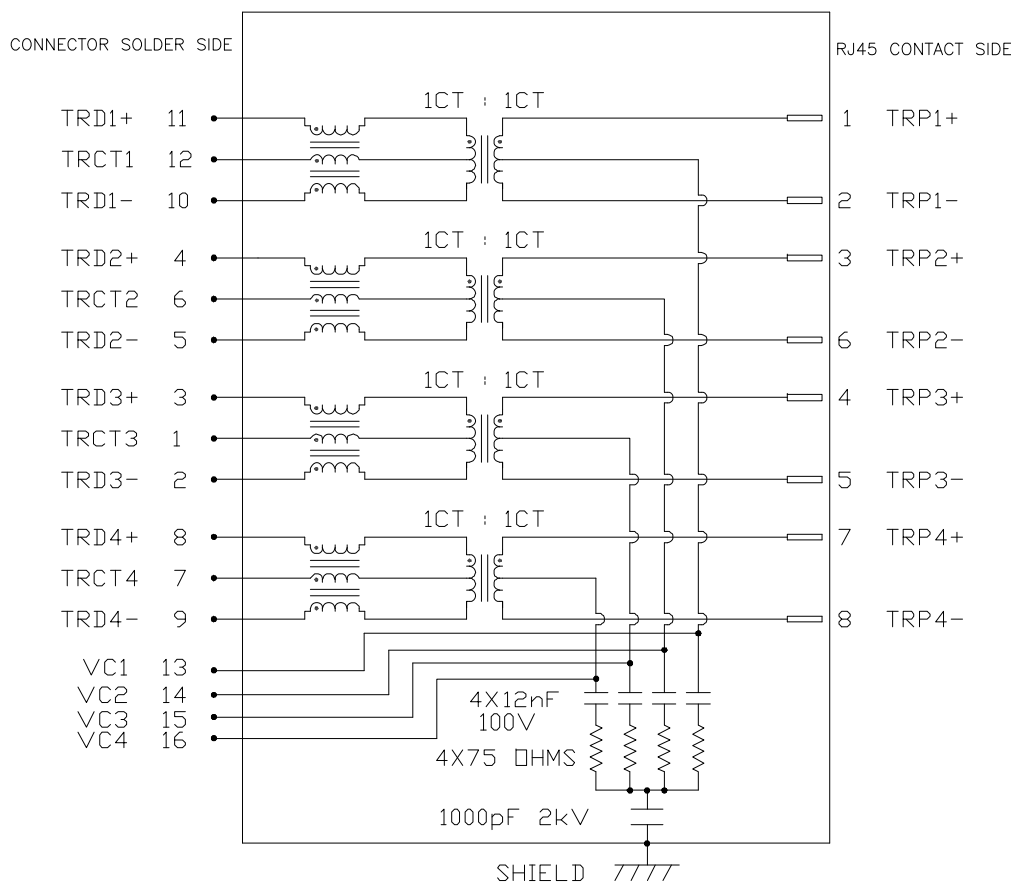
| NO | VARIETY | QTY | METERIAL | REMARK |
|---|----------------|----------------------|---------------|------------------------------|
|  Matrix Electronics Co.,Ltd | | | | |
| TOLERANCE: | | DESIGN BY : | DATE : | PART NAME: |
| X:X | ±0.38 | Phebe Su | 2017/06/12 | RJ45 W/LED W/Giga+POE TAB UP |
| X:XX | ±0.25 | CHECKED BY: | DATE : | PART NO. |
| X:XXX | ±0.13 | Sam Kuo | 2017/06/12 | MRJG-11T51TRS |
| ANGLE: | ±3° | APPROVED BY1: | DATE : | MOLD NO. |
| | | Richard Hsieh | 2017/06/12 | NA |
| UNIT: mm [inch] | | APPROVED BY2: | DATE : | DRAW NO. |
| | | Richard Hsieh | 2017/06/12 | |
| SCALE:1:1 | SIZE:A4 | | | SHEET NO. |
| | | | | 1 OF 2 |

GP Component

| REV. | ECN NO. | LOCATIONS | DESCRIPTION | DATE | DESIGN |
|------|---------|-----------|-------------------|------------|-----------|
| A0 | | | Initial | 2013/01/21 | Jamie Zie |
| A1 | | | Change Shell type | 2016/09/21 | Phebe Su |
| A2 | | | Change pin length | 2017/06/12 | Phebe Su |

2. SCHEMATIC:

SCHEMATIC


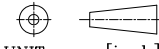


MATRIX PART NO:

M R J G - 1 1 T 5 1 T R S
 Matrix-RJ45
 F: 10/100
 G: 10/100/1000
 N: Pure Connector
 RS: ROHS
 HF: Halogen Free
 Industrial temperature
 Series Number
 S: SMD
 T: THT
 11:1X1 ; 21:2X1
 12:1X2 ; 22:2X2
 14:1X4 ; 24:2X4
 16:1X6 ; 26:2X6
 18:1X8 ; 28:2X8
 1U:RJ+USB

3. ELECTRICAL CHARACTERISTICS(25±5°C)

- TR:(100KHz,0.1V);
 PINS:(P11,P10):(J1,J2)=1:1±3%;(P4,P5):(J3,J6)=1:1±3%
 PINS:(P3,P2):(J4,J5)=1:1±3%;(P8,P9):(J7,J8)=1:1±3%
- LX:(100KHz,100mV,8mA, DC Bias)
 PINS:(J1,J2),(J3,J6)=350uH MINIMUM
 PINS:(J4,J5),(J7,J8)=350uH MINIMUM
- DCR:
 PINS:(J1,J2),(J3,J6)=1.2 Ω MAXIMUM
 PINS:(J4,J5),(J7,J8)=1.2 Ω MAXIMUM
- HIPOT:
 PINS(P11,P10)TO(J1,J2),(P4,P5)TO(J3,J6)=1500VAC FOR 60 SECONDS
 PINS(P3,P2)TO(J4,J5),(P8,P9)TO(J7,J8)=1500VAC FOR 60 SECONDS
- INSERTION LOSS:
 -1.0dB MAXIMUM AT 1MHz TO 100MHz;
- RETURN LOSS:
 -18dB MINIMUM AT 1MHz TO 30MHz;
 -16dB MINIMUM AT 30MHz TO 60MHz
 -12dB MINIMUM AT 60MHz TO 80MHz
 -10dB MINIMUM AT 80MHz TO 100MHz
- CROSS TALK:
 -30dB MINIMUM AT 1MHz TO 100MHz
- COMMON TO COMMON MODE REJECTION:
 -30dB MINIMUM AT 1MHz TO 100MHz
- Balanced DC current : 720mA Max. @48V DC continuous

| NO | VARIETY | QTY | METERIAL | REMARK |
|---|---------|--|---|--|
|  Matrix Electronics Co.,Ltd | | | | |
| TOLERANCE: X:X ±0.38 X:XX ±0.25 X:XXX ±0.13 ANGLE: ±3° | | DESIGN BY : Phebe Su CHECKED BY: Sam Kuo | DATE : 2017/06/12 DATE : 2017/06/12 DATE : 2017/06/12 | PART NAME: RJ45 W/LED W/Giga+POE TAB UP PART NO. MRJG-11T51TRS MOLD NO. NA DRAW NO. SHEET NO. 2 OF 2 |
|  UNIT: mm [inch] SCALE:1:1 SIZE:A4 | | APPROVED BY1: Richard Hsieh APPROVED BY2: Richard Hsieh | DATE : 2017/06/12 DATE : 2017/06/12 | |