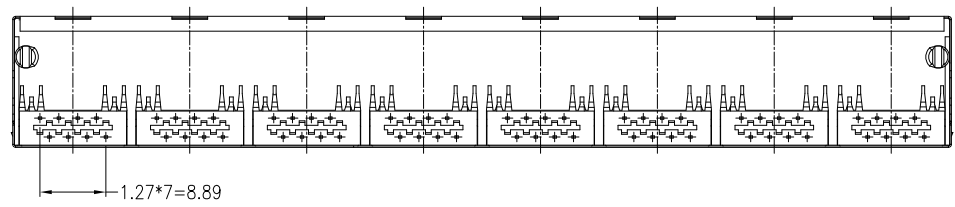
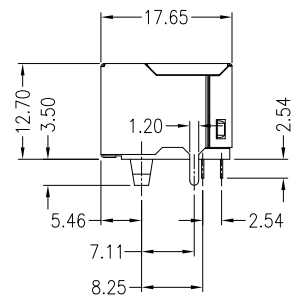
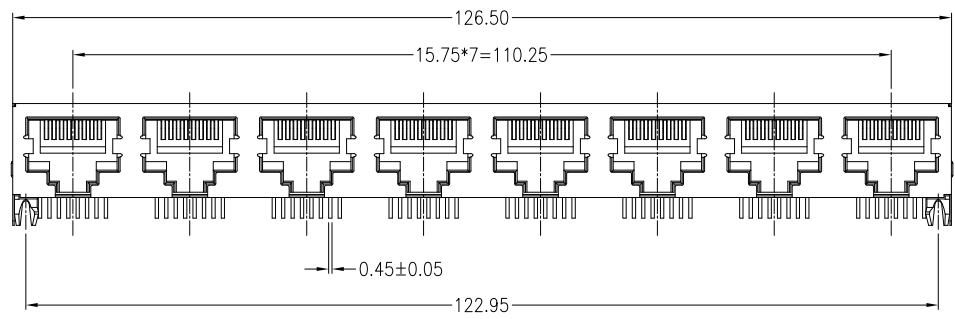


# GP Component

REV.	ECN NO.	LOCATIONS	DESCRIPTION	DATE	DESIGN
A0			Initial	2018/05/30	Phebe Su
A1			Modify drawing	2018/06/30	Phebe Su

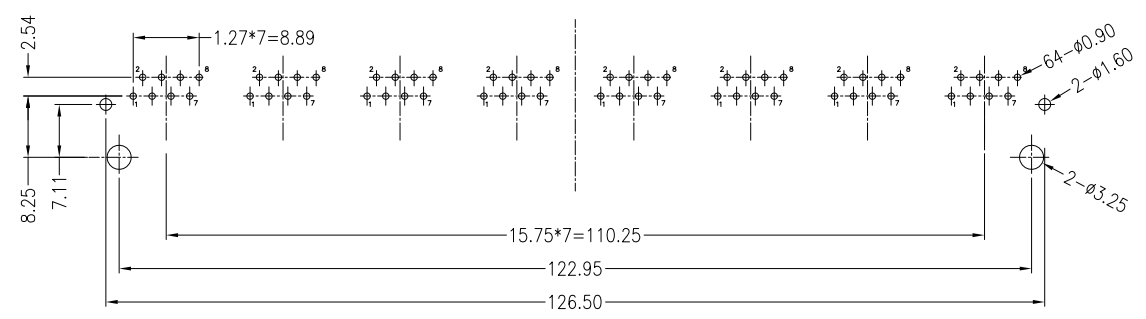


NOTES:  
 1. MATERIALS:  
 HOUSING: PBT, UL 94V-0, BLACK.  
 CONTACTS: T=0.30 mm PHOSPHOR BRONZE,  
 50u" NICKEL UNDERPLATE  
 100u" MATTE TIN ON SOLDER TAIL  
 GOLD 15u" ON CONTACT AREA.  
 SHELL: STAINLESS T=0.20mm, NICKEL 30u" MIN. OVERALL  
 2. OPERATING TEMPERATURE: -40°C ~ +85°C  
 3. JACK CAVITY CONFORMS TO FCC RULES AND REGULATIONS  
 PART 68, SUBPART F

MATRIX PART NO:

Matrix-RJ45  
 F: 10/100  
 G: 10/100/1000  
 N: Pure Connector  
 11:1X1 ; 21:2X1  
 12:1X2 ; 22:2X2  
 14:1X4 ; 24:2X4  
 16:1X6 ; 26:2X6  
 18:1X8 ; 28:2X8  
 1U:RJ+USB

Matrix Part No: MRJN-18T864TRS  
 RS: ROHS  
 HF: Halogen Free  
 Industrial temperature  
 Series Number  
 S: SMD  
 T: THT



RECOMMEND PCB LAYOUT (COMPONENT SIDE)  
 DIMENSIONAL TOLERANCE: ±0.05

## Matrix Electronics Co., Ltd

<b>TOLERANCE:</b> X.X ±0.38 X.XX ±0.25 X.XXX ±0.13 ANGLE: ±1°	<b>DESIGN BY:</b> Phebe Su	<b>DATE:</b> 2018/06/30	<b>PART NAME:</b> RJ45 1X8 W/SHELL W/O LED
	<b>CHECKED BY:</b> Vicky Hsieh	<b>DATE:</b> 2018/06/30	<b>PART NO.</b> MRJN-18T864TRS
	<b>APPROVED BY1:</b> Richard Hsieh	<b>DATE:</b> 2018/06/30	<b>MOLD NO.</b> NA
	<b>APPROVED BY2:</b> Richard Hsieh	<b>DATE:</b> 2018/06/30	<b>DRAW NO.</b> SHEET NO. 1 OF 1