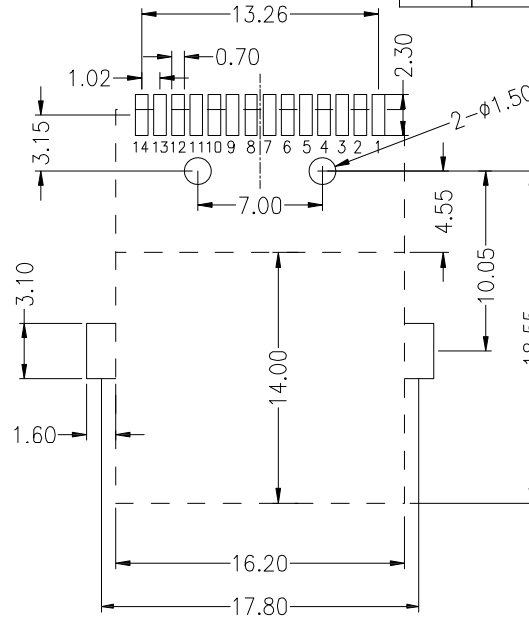
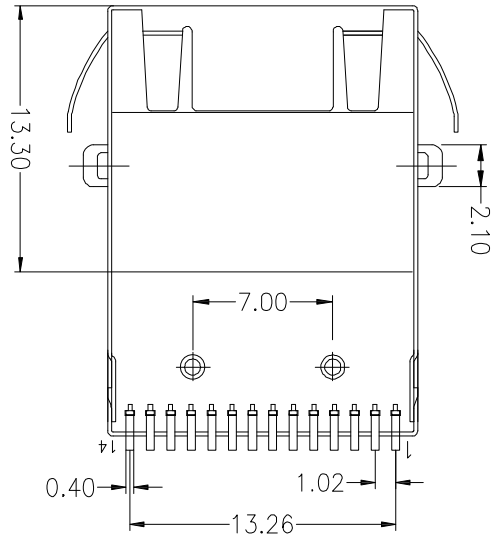


# GP Component

REV.	ECN NO.	LOCATIONS	DESCRIPTION	DATE	DESIGN
A0			Initial	2017/05/24	Phebe Su

## 1. MECHANICAL DIMENSIONS:

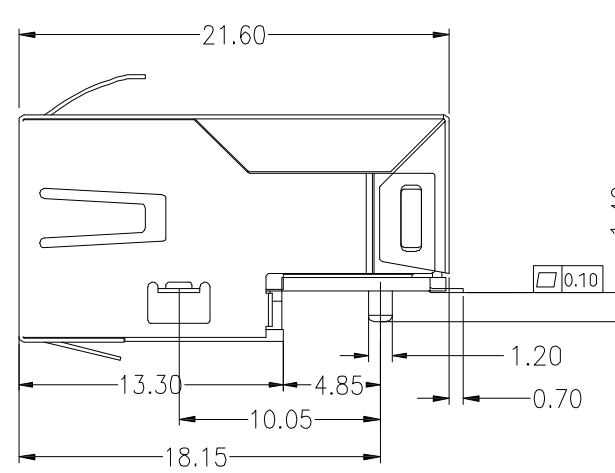
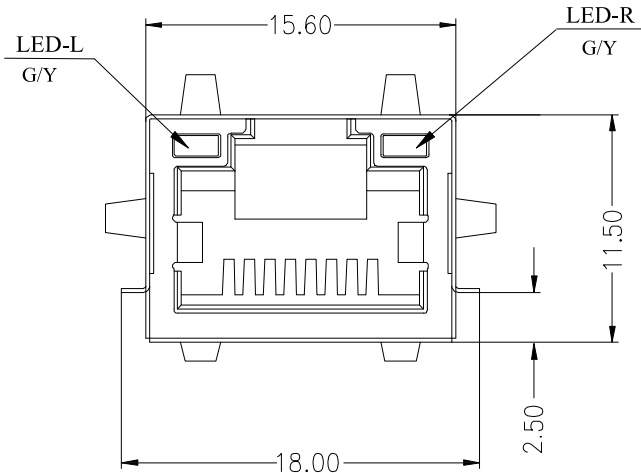


SUGGESTED PCB LAYOUT(TOP VIEW)

DIMENSIONAL TOLERANCE: .XX±0.05[0.001]

噴印內容：

MATRIX  
MRJG-11S850HF  
YYWW



## NOTES:

- MATERIALS:  
HOUSING: LCP BLACK, UL94V-0 RATED  
CONTACTS: PHOSPHOR BRONZE C5191, GOLD PLATED ON CONTACT AREA 6U" MIN  
SHELL: C2680 with Nickel plated,
- OPERATING TEMPERATURE: 0°C ~ +70°C
- JACK CAVITY CONFORMS TO FCC RULES AND REGULATIONS PART 68, SUBPART F

## MATRIX PART NO:

M R J G - 1 1 S 850 H F

Matrix-RJ45  
F : 10/100  
G : 10/100/1000  
N : Pure Connector

RS : ROHS  
HF : Halogen Free

Series Number

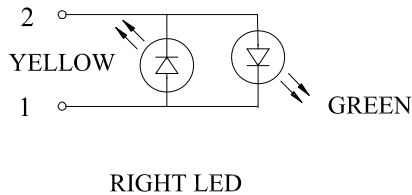
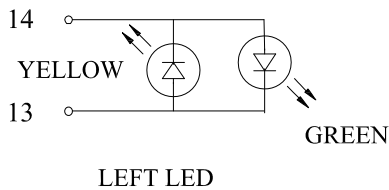
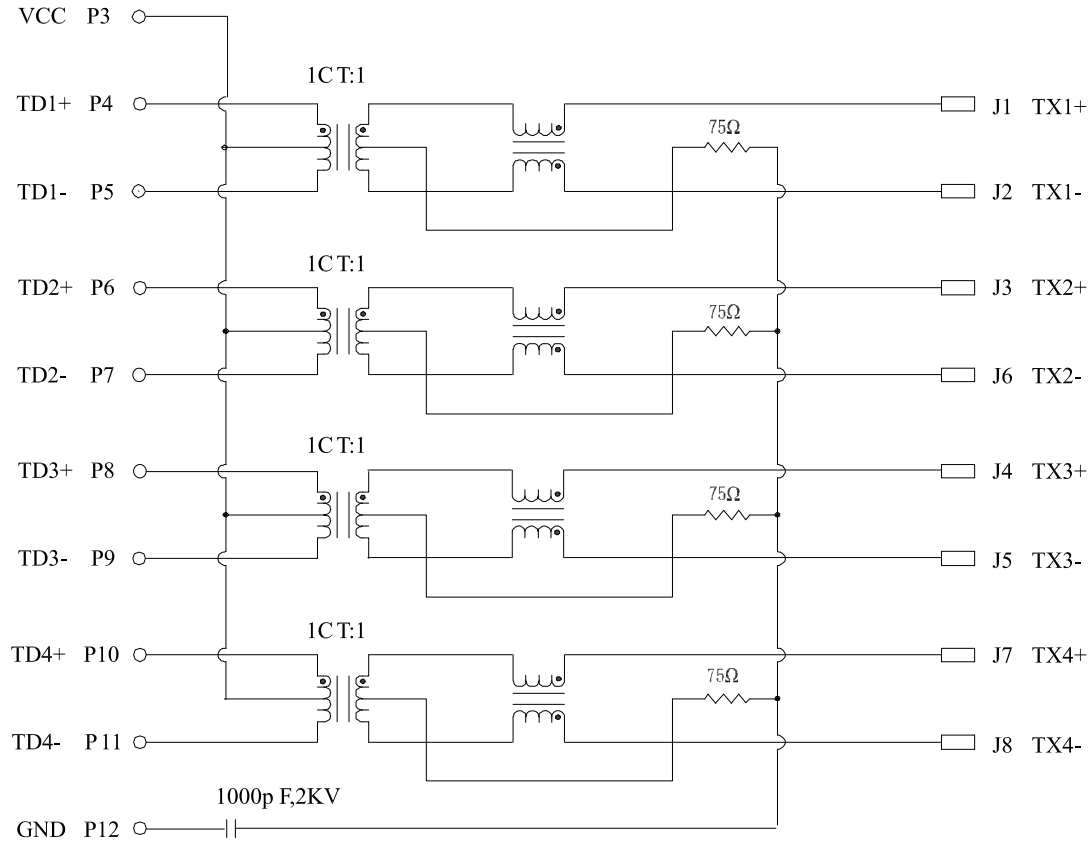
11:1X1 ; 21:2X1  
12:1X2 ; 22:2X2  
14:1X4 ; 24:2X4  
16:1X6 ; 26:2X6  
18:1X8 ; 28:2X8  
1U:RJ+USB

NO	VARIETY	QTY	MATERIAL	REMARK
 <b>Matrix Electronics Co.,Ltd</b>				
<b>TOLERANCE:</b> X.X ±0.38 X.XX ±0.25 X.XXX ±0.13 ANGLE: ±3°		<b>DESIGN BY :</b> Phebe Su <b>CHECKED BY:</b> Janice Liu <b>APPROVED BY1:</b> Richard Hsieh <b>UNIT: mm [inch]</b> <b>SCALE:1:1 SIZE:A4</b>	<b>DATE :</b> 2017/05/24 <b>DATE :</b> 2017/05/24 <b>DATE :</b> 2017/05/24 <b>DATE :</b> 2017/05/24	<b>PART NAME:</b> RJ45,CONNECTORS,W/LED GIGA,SHEN,FILTER <b>PART NO.</b> MRJG-11S850HF <b>MOLD NO.</b> NA <b>DRAW NO.</b> <b>SHEET NO.</b> 1 OF 2

# GP Component

REV.	ECN NO.	LOCATIONS	DESCRIPTION	DATE	DESIGN
A0			Initial	2017/05/24	Phebe Su



## 2. SCHEMATIC:



## 3. ELECTRICAL CHARACTERISTICS:

TEST NOTES:(25°±5°C)

- TR:(100KHz,0.1V); 100%  
PINS:(P4,P5):(J1,J2)=1:1±3%;(P6,P7):(J3,J6)=1:1±3%  
PINS:(P8,P9):(J4,J5)=1:1±3%;(P10,P11):(J7,J8)=1:1±3%
- LX:(100KHz,100mV,8mA, DC Bias) 100%  
PINS:(P4,P5),(P6,P7),(P8,P9),(P10,P11)=350uH MINIMUM
- HIPOT: 100%  
PINS(P4,P5)TO(J1,J2),(P6,P7)TO(J3,J6)=2250VDC  
PINS(P8,P9)TO(J4,J5),(P10,P11)TO(J7,J8)=2250VDC
- INSERTION LOSS:  
-1.0dB MAXIMUM AT 1MHz TO 100MHz;
- RETURN LOSS:  
-18dB MINIMUM AT 1MHz TO 30MHz;  
-12dB MINIMUM AT 60MHz TO 80MHz  
-10dB MINIMUM AT 80MHz TO 100MHz
- CROSS TALK:  
-30dB MINIMUM AT 1MHz TO 100MHz
- COMMON TO COMMON MODE REJECTION:  
-30dB MINIMUM AT 1MHz TO 100MHz  
-20dB MINIMUM AT 150MHz

NO	VARIETY	QTY	MATERIAL	REMARK
 <b>Matrix Electronics Co.,Ltd</b>				
<b>TOLERANCE:</b> X.X ±0.38 X.XX ±0.25 X.XXX ±0.13 ANGLE: ±3°		<b>DESIGN BY :</b> Phebe Su  <b>CHECKED BY:</b> Janice Liu	<b>DATE :</b> 2017/05/24  <b>DATE :</b> 2017/05/24	<b>PART NAME:</b> RJ45,CONNECTORS,W/LED GIGA,SHEN,FILTER  <b>PART NO.</b> MRJG-11S850HF
 <b>UNIT: mm [inch]</b>		<b>APPROVED BY1:</b> Richard Hsieh  <b>APPROVED BY2:</b> Richard Hsieh	<b>DATE :</b> 2017/05/24  <b>DATE :</b> 2017/05/24	<b>MOLD NO.</b> NA  <b>DRAW NO.</b>  <b>SHEET NO.</b> 2 OF 2
<b>SCALE:1:1</b> <b>SIZE:A4</b>				